

Mounting instructions

Screw-on cable tray systems



Screw-on cable tray systems

Mounting instructions

Table of contents

1	About these instructions	5
1.1	Target group	5
1.2	Relevance of these instructions	5
1.3	Types of warning information	5
1.4	Depiction conventions	5
1.5	Basic standards and regulations	6
1.6	Applicable documents	6
2	Correct use	6
3	Safety	6
3.1	General safety information	6
3.2	Personal protective equipment	7
3.3	Personal tools	7
4	System overview	8
4.1	System description	8
4.1.1	Cable trays	8
4.1.2	Connectors	9
4.1.3	Fittings	10
4.1.4	Cover for cable trays	17
4.1.5	Cover for fittings	18
4.1.6	Accessories	19
5	Mounting	20
5.1	Cutting the cable tray	21
5.2	Mounting the joint plate	22
5.3	Applying the edge protection strip	22
5.4	Connecting cable trays	23
5.4.1	Creating a straight connection	23
5.4.2	Creating an angled connection	28
5.4.3	Creating a vertical connection	32
5.5	Mounting fittings	35
5.5.1	Supporting a fitting	35
5.5.2	Mounting WKV angle connections on a fitting	37
5.5.3	Mounting the 45°/90° bend	38
5.5.4	Mounting a falling/rising vertical bend	40
5.5.5	Mounting an add-on tee	41
5.5.6	Mounting the T branch piece	45
5.5.7	Mounting a cross-over	48
5.5.8	Mounting adjustable bend elements	51
5.5.9	Mounting a reducer profile/end closure	53
5.6	Mounting barrier strips	56
5.7	Creating equipotential bonding	56
5.8	Mounting the cover	57
5.8.1	Mounting the cover with cover clamp	57
5.8.2	Mounting the cover with turn buckle	59
5.8.3	Mounting a fitting cover	60

Table of contents

6	Maintaining the system	61
7	Dismantling the system.	61
8	Disposing of the system	61
9	Technical data	62

1 About these instructions

1.1 Target group

These mounting instructions are intended for the following target group:

- Engineers and architects charged with the planning of cable support systems with cable trays.
- Electrically trained specialists charged with installing cable support systems and cable trays.

1.2 Relevance of these instructions

These instructions are based on the standards valid at the time of compilation (June 2021).

Please read the instructions carefully before starting mounting. We will not accept any warranty claims for damage caused through non-observance of these instructions.

Any images are intended merely as examples. Mounting results may look different.

In these instructions, cables and lines are referred to simply as cables.

1.3 Types of warning information



WARNING

Type of risk!

Shows a risky situation. If the safety instruction is not observed, then serious or fatal injuries may occur.



CAUTION

Type of risk!

Shows a risky situation. If the safety instruction is not observed, then medium or minor injuries may occur.

ATTENTION

Type of risk!

Shows a hazardous situation. If the safety instruction is not observed, then damage to the product or the surroundings may occur.

Note!

Indicates important information or assistance.

1.4 Depiction conventions



Correct design



Incorrect design

1.5 Basic standards and regulations

The screw-on cable tray systems fulfil the requirements of “IEC 61537:2006 – Cable management – Cable tray systems and cable ladder systems” for the low voltage area.

1.6 Applicable documents

- Declaration of conformity, see <https://www.obo.global/service/downloads/declarations-of-conformity/cable-support-systems/>
- Mounting instructions for different support structures:
 - U support systems, see www.obo.de/out/media/04-150_MA_U_support_systems.pdf
 - I support systems, see www.obo.de/out/media/04-150_MA_I_support_systems.pdf
 - Universal systems, see www.obo.de/out/media/04-150_MA_Universal_systems.pdf
 - Trapezoidal systems, see www.obo.de/out/media/04-150_MA_TP_support_systems.pdf
 - Clamp fastenings, see www.obo.de/out/media/04-150_MA_Clamp_fastening_systems.pdf

2 Correct use

The screw-on cable tray systems are used to support and route all kinds of cables, taking the approved load values into account. Depending on the corrosion protection used, they can be mounted both indoors and outdoors.

The cable tray systems are suitable for use at ambient temperatures of -20 °C to $+120\text{ °C}$. At temperatures below -20 °C , the material will become brittle and may not be processed further.

The screw-on cable tray systems are not designed for any other purpose than the one described here. If the screw-on cable tray systems are used for another purpose, any liability, warranty or damage claims shall be rendered null and void.

3 Safety

3.1 General safety information

Observe the following general safety information:

- Only have electrical work carried out by specialist personnel with electrical training.
- Risk of cutting from plate edges. Wear protective gloves.
- Design the screw-on cable tray systems according to the loads to be expected.

3.2 Personal protective equipment

List of personal protective equipment to be used:



Use hand protection



Wear eye protection

3.3 Personal tools

List of required tools:

- Angle grinder
- Drill/battery-operated screwdriver
- Torque spanner
- Screwdriver
- Hammer

4 System overview

4.1 System description

The screw-on cable trays for routing cables are designed for high support loads. The widths vary between 100 and 600 mm and the side heights between 35 and 110 mm. The cable trays are screwed together using connector holes with the appropriate fastening material. The selection of the matching cable tray system is dependent on the area of use and the cable load and volume to be routed.

The following screw-on cable tray systems are available with hot galvanised (FS) and hot-dip galvanised (FT) and stainless steel (A2/A4) surfaces:

- MKS medium-duty cable tray system
- SKS heavy-duty cable tray system
- DKS perforated cable tray system
- EKS extra-heavy-duty cable tray system
- IKS industrial cable tray system

The screw-on cable trays are available in perforated and unperforated versions. The systems include countless connectors, fittings, such as bends, branches, tees and reducers, cross-overs, as well as covers and other accessories.

The cable tray systems can be mounted on floors, walls and ceilings on various support systems. The mounting of the support systems is described in separate mounting instructions, see “1.6 Applicable documents” on page 6.

4.1.1 Cable trays

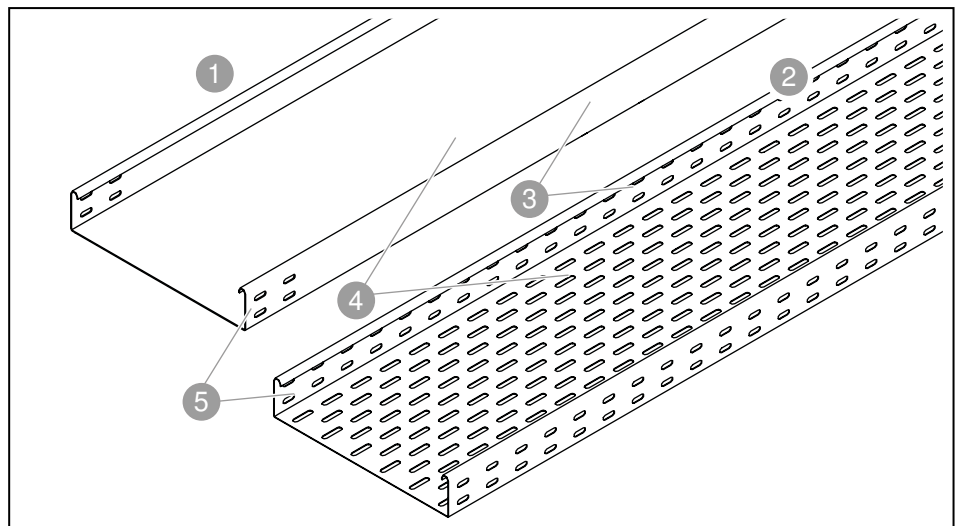


Fig. 1: Unperforated and perforated tray

- ① Unperforated cable tray (MKSU, SKSU)
- ② Perforated cable tray (MKS, SKS, DKS, EKS, IKS)

- ③ Cable tray rail with rounded rail edge
- ④ Cable tray base
- ⑤ Connector perforation

4.1.2 Connectors

The following parts can be interconnected using connectors:

- Cable tray with cable tray
- Cable tray with fitting

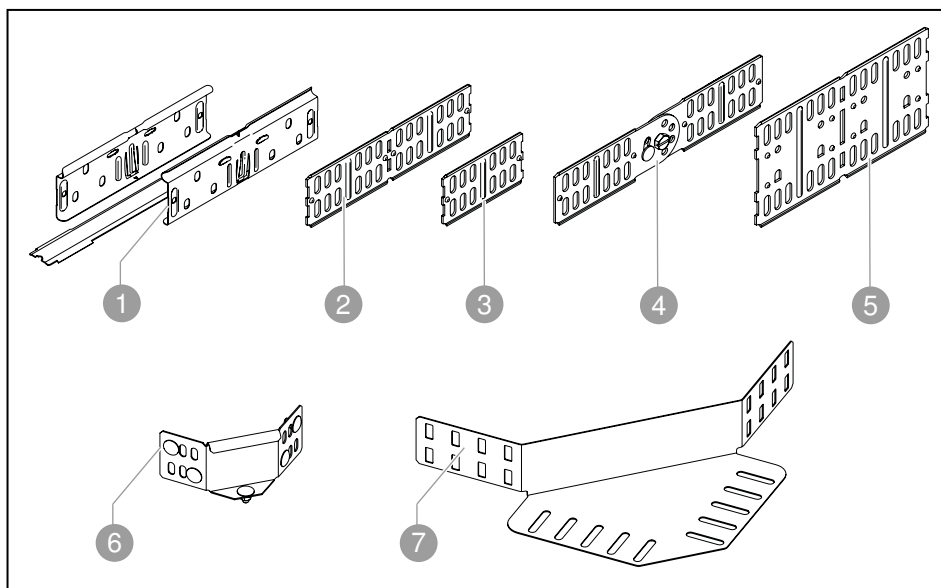


Fig. 2: Connector

No.	Designation /type	Function	Application
①	RV straight connector set with joint plate for MKS/SKS	Screwless straight connection	Cable tray height 35 and 60 mm
②	RWVL straight and angle connector	Screwed straight connection and horizontal change of direction	Cable tray height 35 and 60 mm
③	RLVK straight connector	Screwed straight connection and horizontal change of direction	Cable tray height 35 and 60 mm
④	RGV adjustable connector	Vertical change of direction, screwed	All cable tray heights
⑤	RLVL straight connector	Screwed-on straight connection	Cable tray height 85 and 110 mm
⑥	WKV angle connector	Creation of 90° bend or corner, screwed-on	Cable tray height 35 and 60 mm
⑦	REV corner connector	Creation of 90° bend for cables with large bend radius, screwed-on	All cable tray heights

Tab. 1: Overview of connectors

4.1.3 Fittings

90° bends

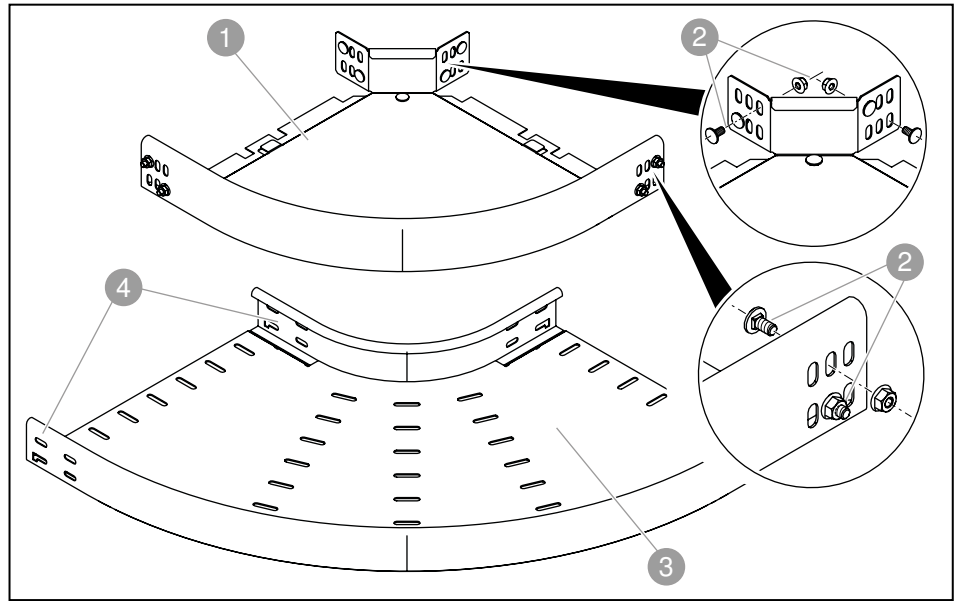


Fig. 3: 90° bends

No.	Designation /type	Function	Application
1	RB 90 90° bend, radius 50 mm	Creation of 90° bend, horizontal	100–300 mm tray width
2	Fastening material, FRS truss-head bolt with combination nut	Fastening to cable tray	100–600 mm tray width
3	RB 90 90° bend, radius 150 mm	Creation of 90° bend, horizontal	400–600 mm tray width
4	Connector perforation	Fastening material retainer	400–600 mm tray width

Tab. 2: Overview of 90° bends

45° bends

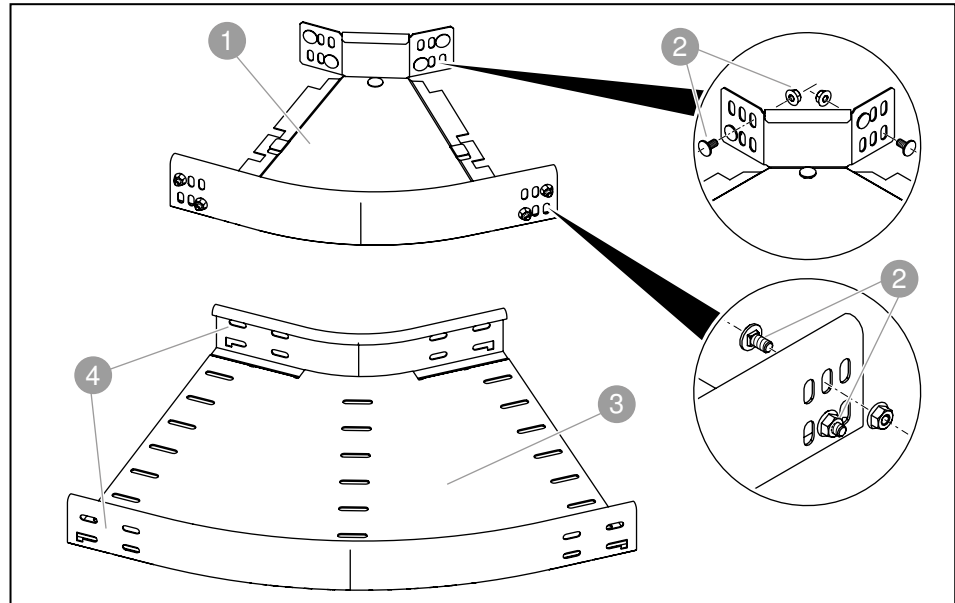


Fig. 4: 45° bends

No.	Designation /type	Function	Application
1	RB 45 45° bend, radius 50 mm	Creation of 45° bend, horizontal	100–300 mm tray width
2	Fastening material, FRS truss-head bolt with combination nut	Fastening to cable tray	100–600 mm tray width
3	RB 45 45° bend, radius 150 mm	Creation of 45° bend, horizontal	400–600 mm tray width
4	Connector perforation	Fastening material retainer	400–600 mm tray width

Tab. 3: Overview of 45° bends

Add-on tees

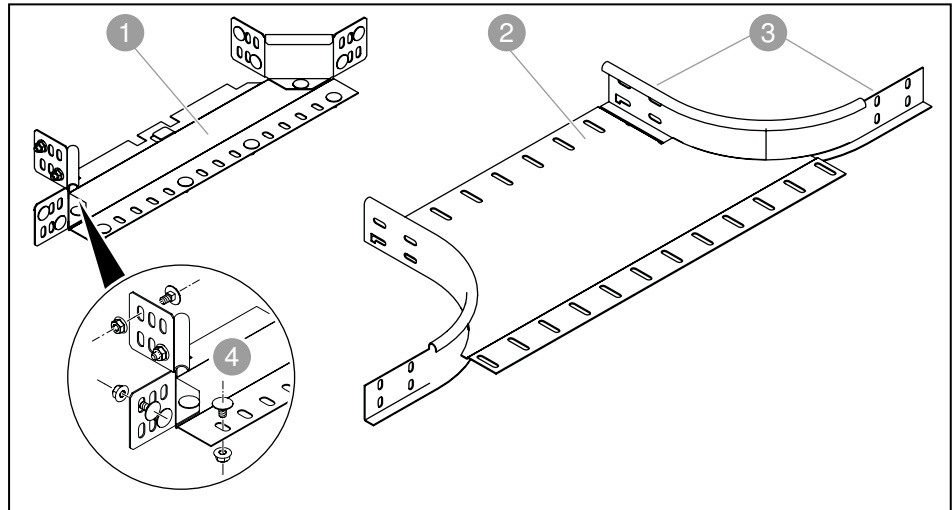


Fig. 5: Add-on tees

No.	Designation /type	Function	Application
1	RAA add-on tee incl. fastening material	Creation of 90° branch	100–300 mm tray width
2	RAA add-on tee with connector perforation	Creation of 90° branch	400–600 mm tray width
3	Connector perforation	Fastening material retainer	400–600 mm tray width
4	Fastening material, FRS truss-head bolt with combination nut	Fastening on cable trays	100–600 mm tray width

Tab. 4: Overview of add-on tees

T branch pieces

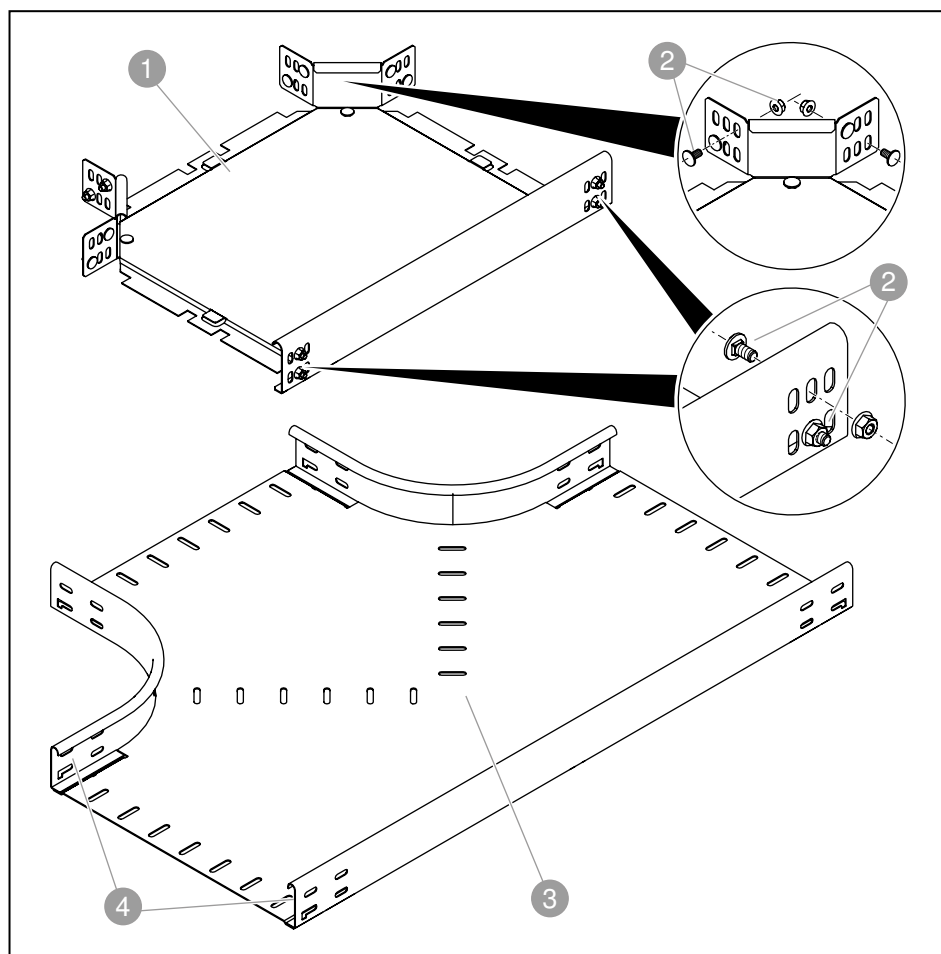


Fig. 6: T branch pieces

No.	Designation /type	Function	Application
1	RT T branch piece incl. fastening material	Creation of 90° branch	100–300 mm tray width
2	Fastening material, FRS truss-head bolt with combination nut	Fastening to cable tray	100–600 mm tray width
3	RT T branch piece with connector perforation	Creation of 90° branch	400–600 mm tray width
4	Connector perforation	Acceptance of fastening material	400–600 mm tray width

Tab. 5: Overview of T branch pieces

Cross-overs

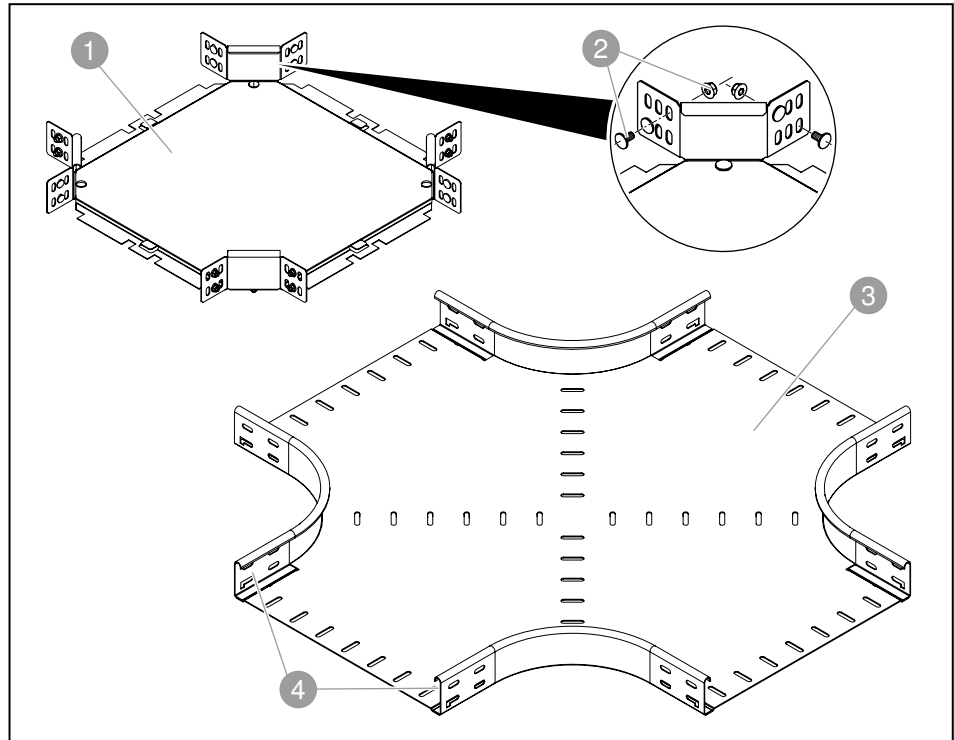


Fig. 7: Cross-overs

No.	Designation /type	Function	Application
1	RK cross-over incl. fastening material	Creation of 90° branch	100–300 mm tray width
2	Fastening material, FRS truss-head bolt with combination nut	Fastening to cable tray	100–600 mm tray width
3	RK cross-over with connector perforation	Creation of 90° branch	400–600 mm tray width
4	Connector perforation	Acceptance of fastening material	400–600 mm tray width

Tab. 6: Overview of cross-overs

Vertical bend, rising/vertical bend, falling

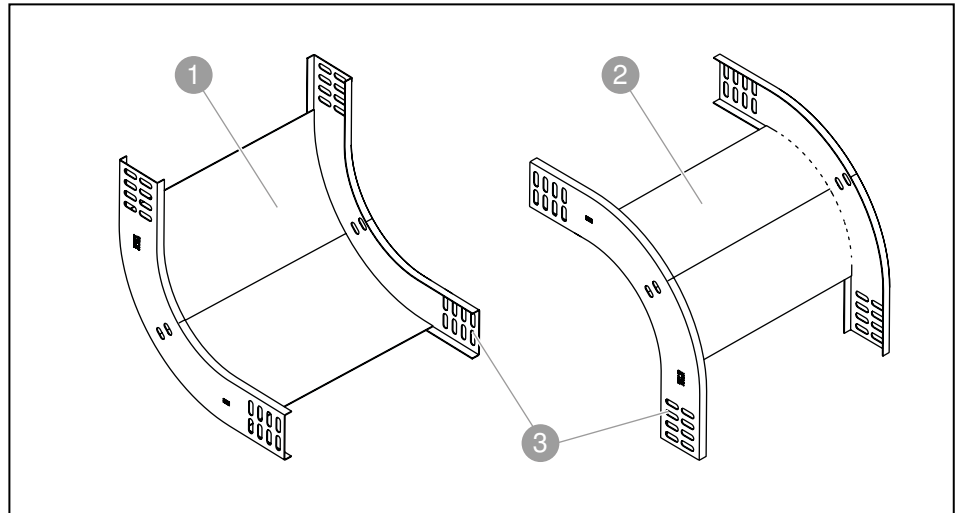


Fig. 8: Vertical bend, rising/falling

No.	Designation /type	Function	Application
1	Vertical bend, rising radius 180 mm	Creation of 90° vertical bend, rising vertically	100–600 mm tray width
2	Vertical bend, falling radius 120 mm	Creation of 90° bend, falling vertically	100–600 mm tray width
3	Connector perforation	Fastening material retainer	100–600 mm tray width

Tab. 7: Overview of vertical bends

Adjustable bend element, vertical

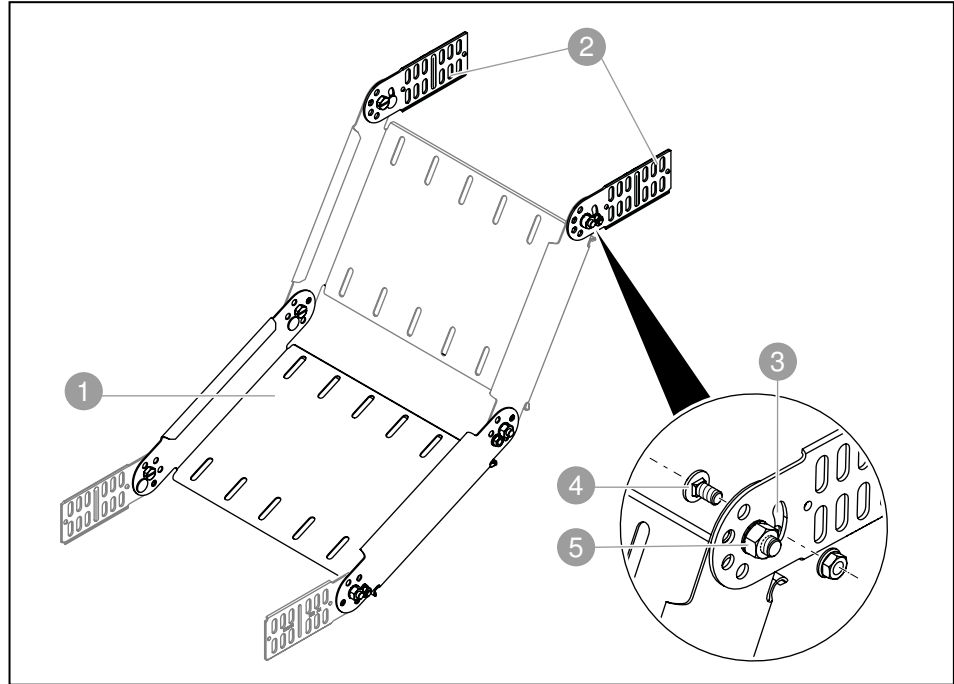


Fig. 9: Adjustable bend elements for height offset

No.	Designation /type	Function	Application
1	Adjustable bend element	Compensation of height offset Creation of vertical bends with flexible radii	100–600 mm tray width
2	Half adjustable connector	Connection of adjustable bend element with cable tray	100–600 mm tray width
3	Curved slot	Variable angle adjustment	
4	Securing screw	Angle fixing	
5	SKS hinge screw M8x16	Fastening of adjustable bend element	

Tab. 8: Overview of adjustable bend elements

4.1.4 Cover for cable trays

Covers for cable trays are available without fastening material or with pre-mounted turn buckles.

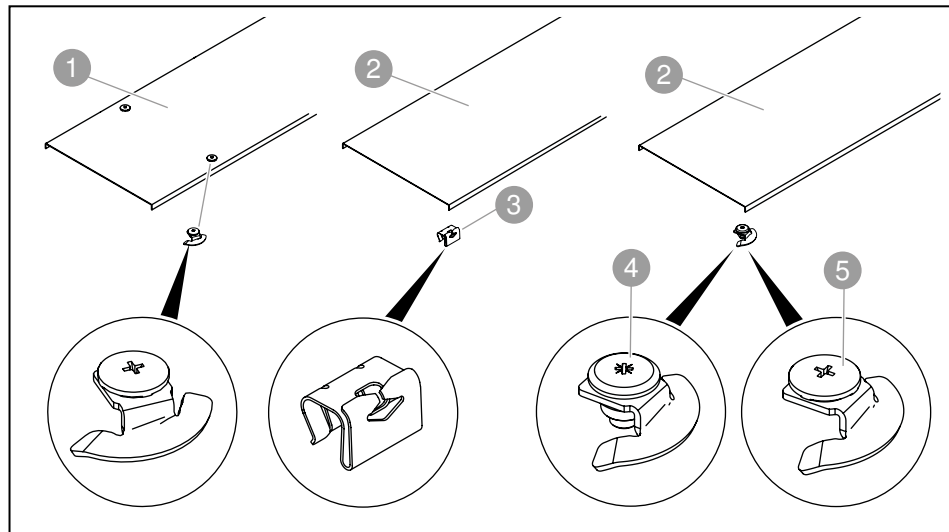


Fig. 10: Covers with fastening material for cable trays

No.	Designation /type	Function	Application
1	Cover with pre-mounted turn buckles	Protection against weathering and dirt	100–600 mm tray width
2	Cover, unperforated	Protection against weathering and dirt	100–600 mm tray width
3	DK DRLU cover clamp	Cover fastening, mounting on the cover with clamps	Perforated and unperforated covers
4	DRL H S turn buckle	Cover fastening, mounting on the cover with screws	Perforated and unperforated covers
5	DRL H turn buckle	Cover fastening, mounting on the cover with rivets	Perforated and unperforated covers

Tab. 9: Overview of covers and fastening material

4.1.5 Cover for fittings

Covers are available for all fittings. All the fitting covers are mounted to the cable tray with the turn buckles pre-mounted at the factory. The following section only shows a portion of the fitting covers. All the available articles/versions/models are listed in the chapter “9 Technical data” on page 62.

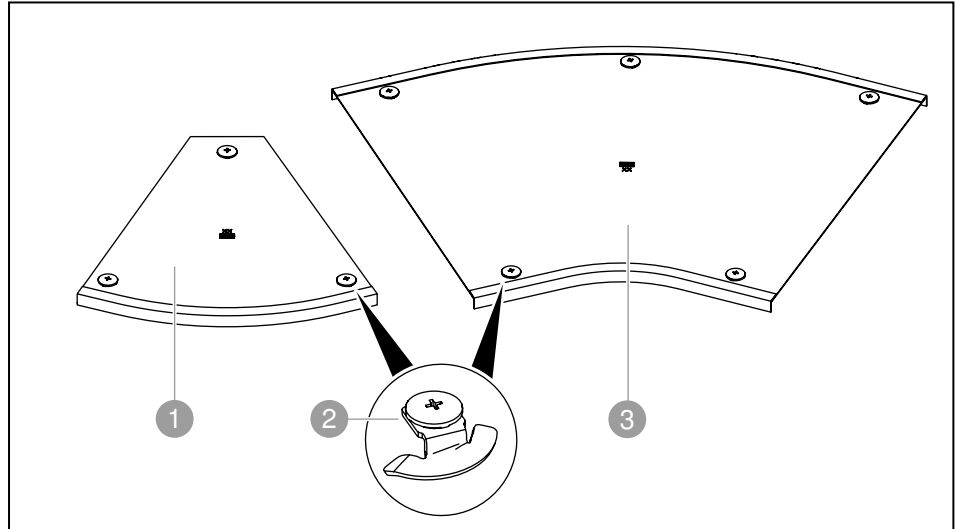


Fig. 11: Cover for fittings

No.	Designation /type	Function	Application
1	DFB cover 45° bend	Protection against weathering and dirt	≤ 300 mm tray width
2	Turn buckle, pre-assembled	Cover fastening	Perforated and unperforated covers
3	DFB cover 45° bend	Protection against weathering and dirt	≥ 300 mm tray width

Tab. 10: Overview, 45° covers for fittings

4.1.6 Accessories

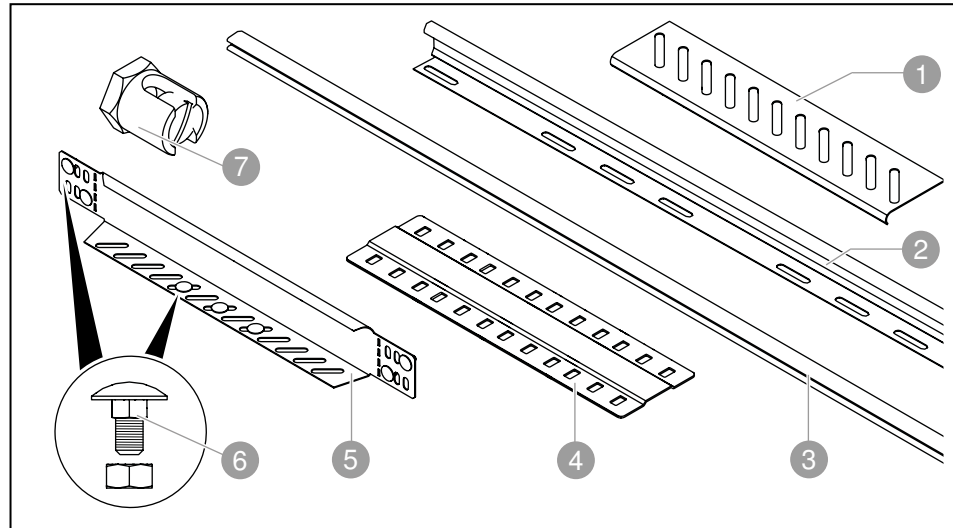


Fig. 12: Accessories

	Designation /type	Function	Application
1	Bottom end plate	Creation of cable exit	All tray types
2	TSG barrier strip	Separation of cables of different voltages or functions	All tray types
3	Edge protection strip	Cover of cut cable tray edges, protection against cable damage	All tray types
4	Joint plate	Connection of cable tray bases at the joint	All tray types
5	Reducer/stop-end	End of cable tray, cable tray width reduction	All tray types
6	FRS truss-head bolt	Fastening of fitting to cable tray	All tray types
7	Earthing terminal	Creation of equipotential bonding	All tray types

Tab. 11: Overview of accessories

5 Mounting

The mounting of the support systems for the cable tray systems takes place according to the local circumstances and the planned loads. The mounting of the different support systems is shown in special mounting instructions, see “1.6 Applicable documents” on page 6.

The mounting drawings of the screw-on cable tray systems show either perforated or unperforated cable trays. All the connectors, fittings and accessories shown can be mounted on both perforated and unperforated cable trays. If unperforated cable trays are cut, then the connector perforation must be re-drilled.

When mounting the FRS truss-head bolts and SKS hinge screws made of steel or stainless steel from OBO Bettermann, the following tightening torque must be applied:

Thread	Tightness class 5.6	Tightness class 8.8
M6	4.80 Nm	11.30 Nm
M8	11.60 Nm	27.30 Nm

Tab. 12: Torques for steel screws from OBO Bettermann

Thread	Resistance grade 70	Resistance grade 80
	Friction coefficient 0.14	Friction coefficient 0.14
M6	9.70 Nm	12.90 Nm
M8	23.60 Nm	31.50 Nm

Tab. 13: Torques for stainless steel screws from OBO Bettermann

5.1 Cutting the cable tray

Cut the cable ladders according to the local circumstances.



Risk of cutting!

During cutting work, metal chips or sharp cut edges can cause injuries to eyes and hands!

- Wear protective glasses and gloves.
- Deburr cut edges.

1. Cut cable trays to the desired length, e.g. using an angle grinder.
2. Deburr cut edges.

Note!

In the case of cable trays for use outdoors, the corrosion protection at the cut edges must be renewed with zinc spray after cutting, e.g. type ZSF zinc touch-up spray, item no. 2362970 or type ZABF zinc touch-up paint, item no. 2362979.

5.2 Mounting the joint plate

To avoid transverse bending at higher loads, a joint plate must be used in the joint area of the cable trays to be connected for tray widths of 400 mm or more. Up to a tray width of 300 mm, the mounting of the joint plate is optional. The joint plate is mounted after the connectors have been mounted. The joint plate is fastened with FRS M6 truss-head bolts and combination nuts.

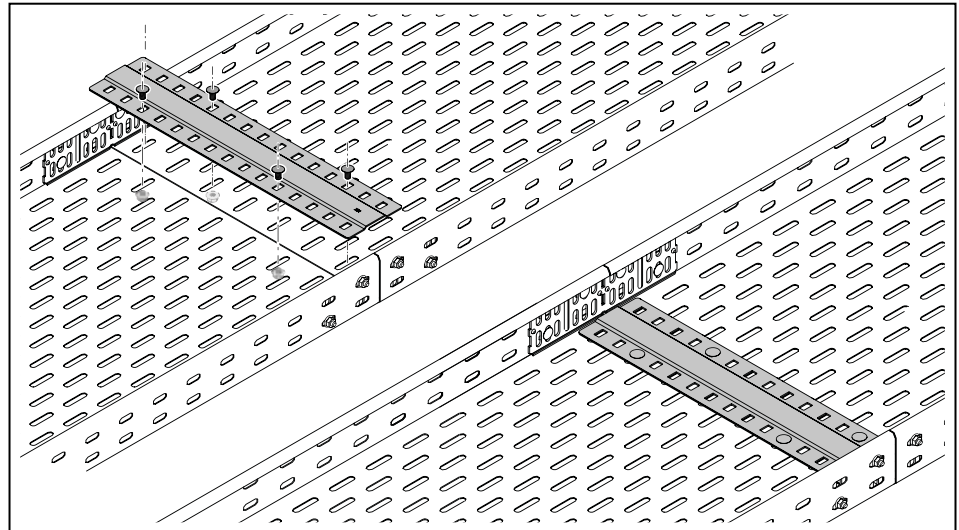


Fig. 13: Mounting the joint plate

1. Place the joint plate centrally on the joint area of the cable trays.
2. Screw on the joint plate.

5.3 Applying the edge protection strip

To avoid damage to cables, the edge protection strip is attached at cut edges of cable trays, if no joint plates or floor end plates are mounted.

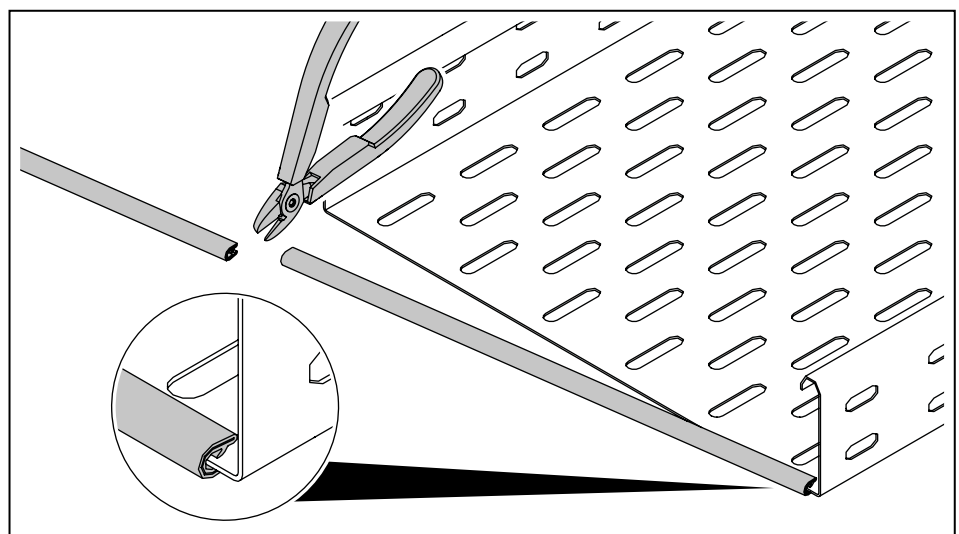


Fig. 14: Applying the edge protection strip

1. Cut the edge protection strip to size.
2. Clamp the edge protection strip to the edge of the cable tray.

5.4 Connecting cable trays

Cable trays are connected in a straight or angled direction using various connectors. Straight connectors connect cable trays according to their length. Angle connectors can be used to route trays horizontally at angles of different sizes or to create corners. Adjustable connectors create rises or drops.

ATTENTION

Risk of damage!

Screws can damage cables. Always pass fastening screws through the rail from the inner side of the cable tray and secure with combination nuts on the outer side of the cable tray.

5.4.1 Creating a straight connection

Screwless straight connection with RV straight connector set

The straight connector set contains 2 straight connectors and one joint plate and is mounted without screws.

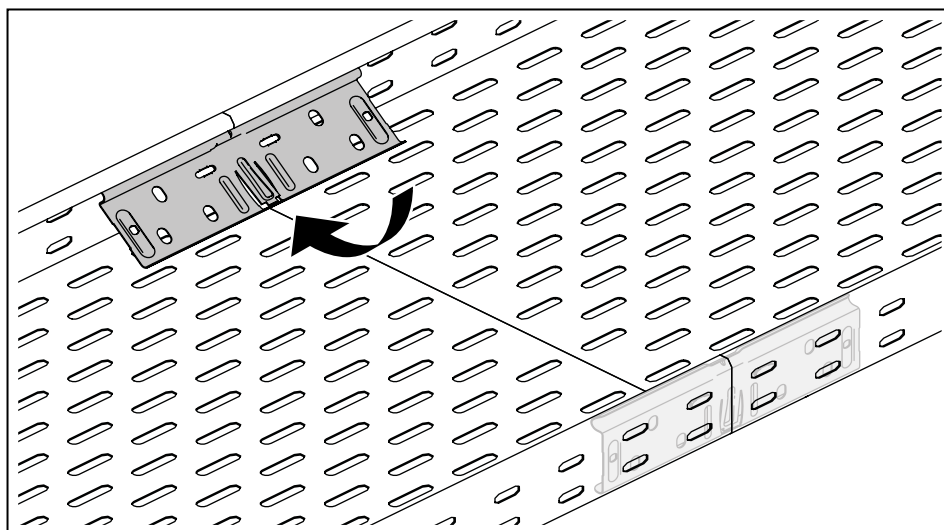


Fig. 15: Inserting RV 607 straight connectors

1. Insert the straight connectors on the inner side of the rail and press them in.

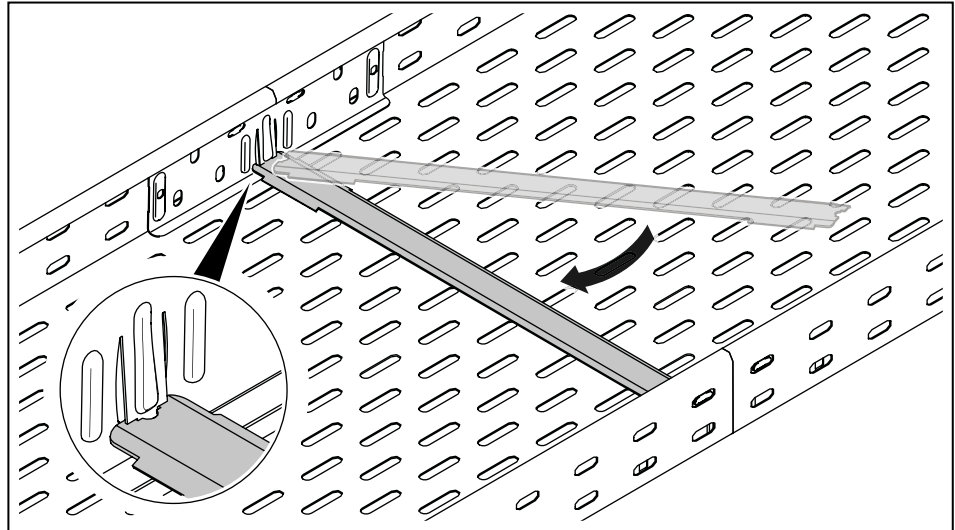


Fig. 16: Inserting a joint plate

2. Clamp the joint plate between the straight connectors.

Straight connection with RLVK straight connector

The RLVK straight connector is used with the cable tray heights 35 and 60 mm. The connector is fastened with FRS M6 truss-head bolts and combination nuts.

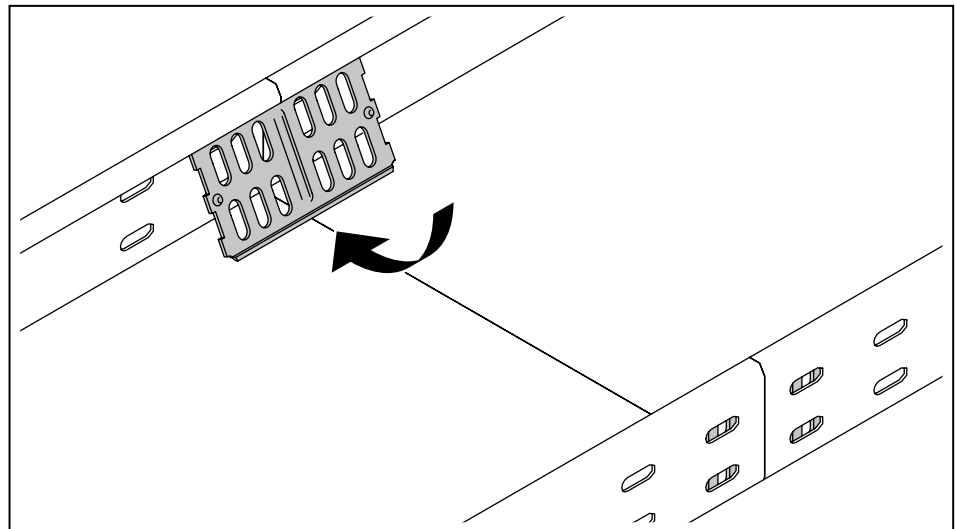


Fig. 17: Inserting RLVK straight connectors

1. Insert the straight connectors on the inner side of the rail.

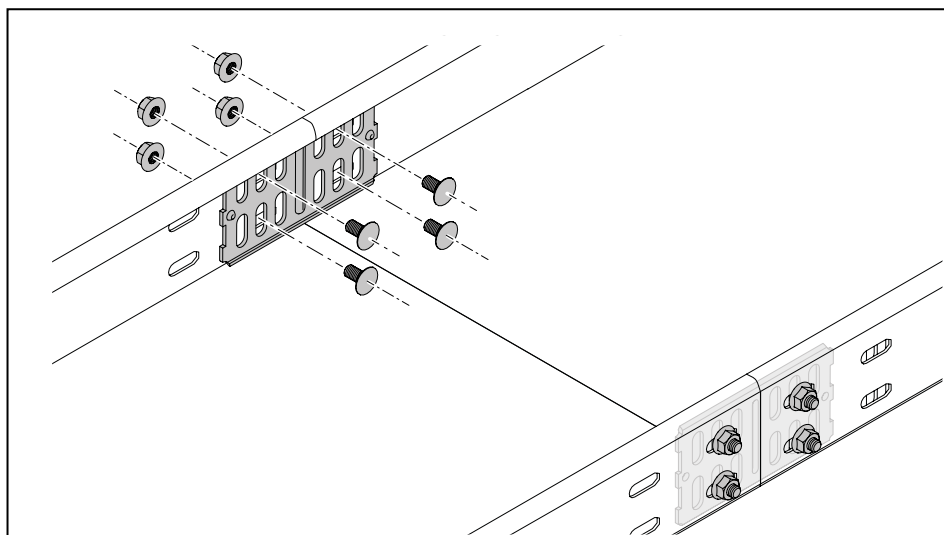


Fig. 18: Screw on the RLVK straight connector

2. Screw on the straight connector.

Straight connection with RLVL straight connector

The RLVL straight connector is used with the cable tray heights 85 and 110 mm. The connector is fastened with FRS M6 truss-head bolts and combination nuts.

To avoid transverse bending at higher loads, a joint plate must be used for tray widths of 400 mm or more. Up to a tray width of 300 mm, the mounting of the joint plate is optional.

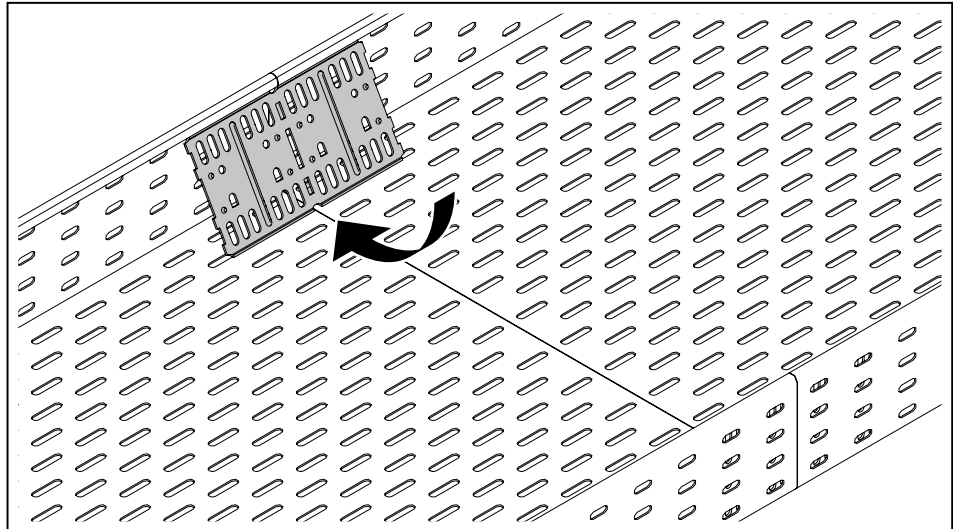


Fig. 19: Inserting RLVL straight connectors

1. Insert the straight connectors on the inner side of the rail.

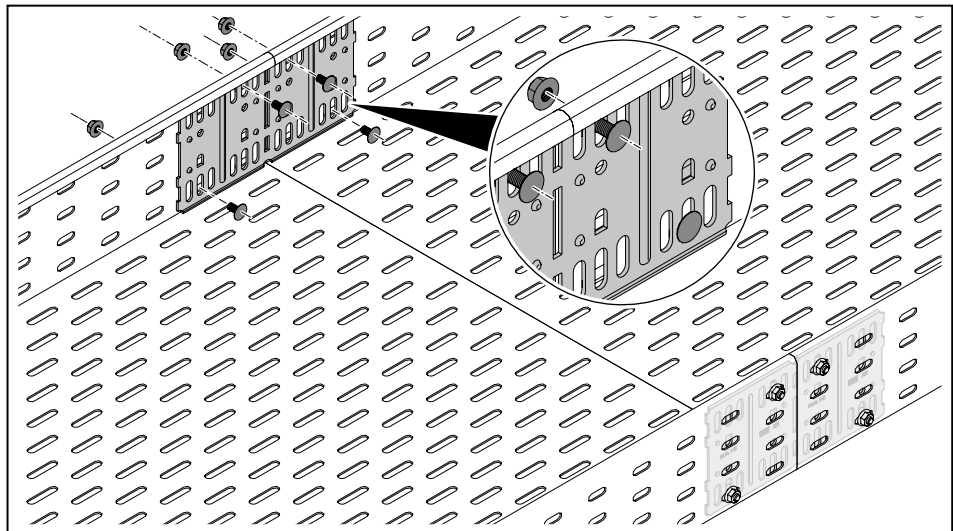


Fig. 20: Screwing on the RLVL straight connector

2. Screw on the straight connector.

RWVL straight and angle connector

The RWVL straight and angle connector is used with the cable tray heights 35 and 60 mm. The connector is screwed on with FRS M6 truss-head bolts and combination nuts.

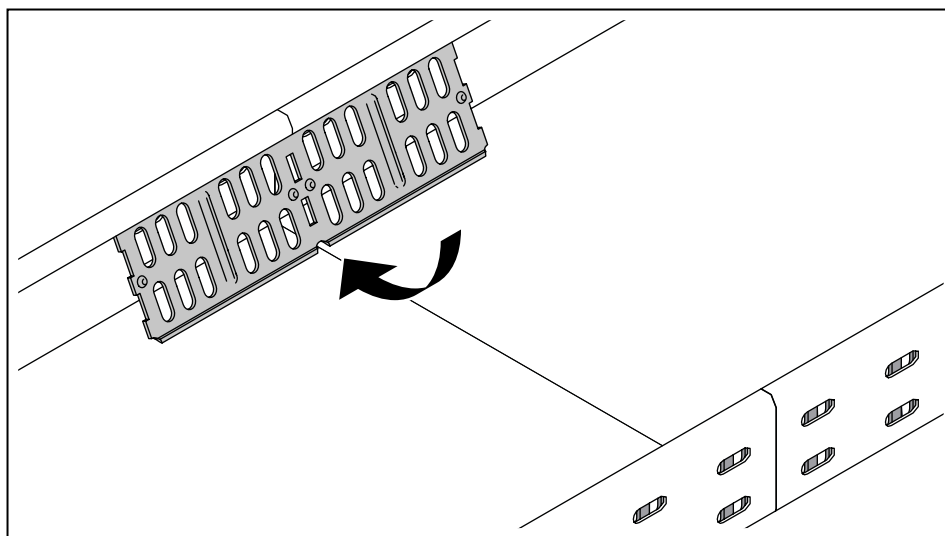


Fig. 21: Inserting RWVL straight and angle connectors

1. Insert the straight and angle connectors on the inner sides of the rail.

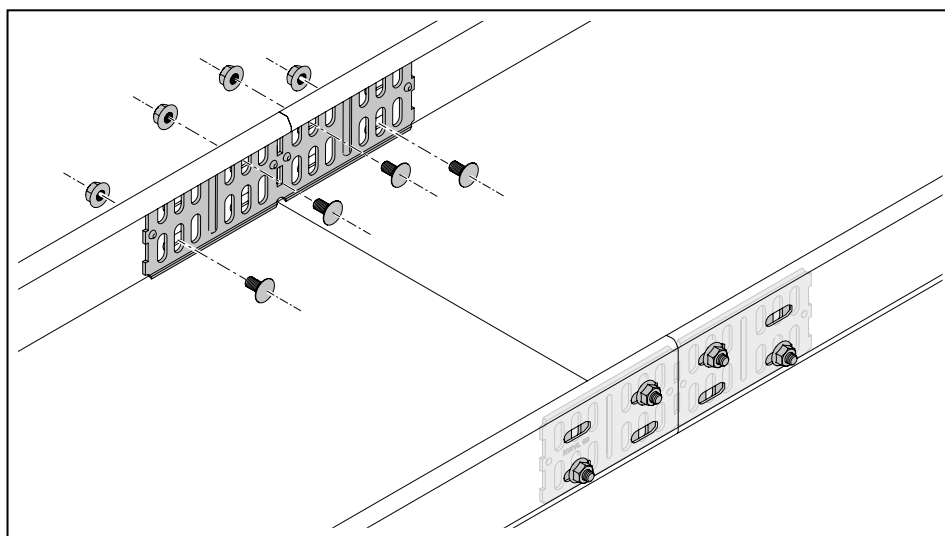


Fig. 22: Screwing on the RWVL straight and angle connector

2. Screw on the RWVL straight and angle connector.

5.4.2 Creating an angled connection

Angled connection with RWVL straight and angle connector

The RWVL straight and angle connector is used with the cable tray heights 35 and 60 mm. The connector is screwed on with FRS M6 truss-head bolts and combination nuts.

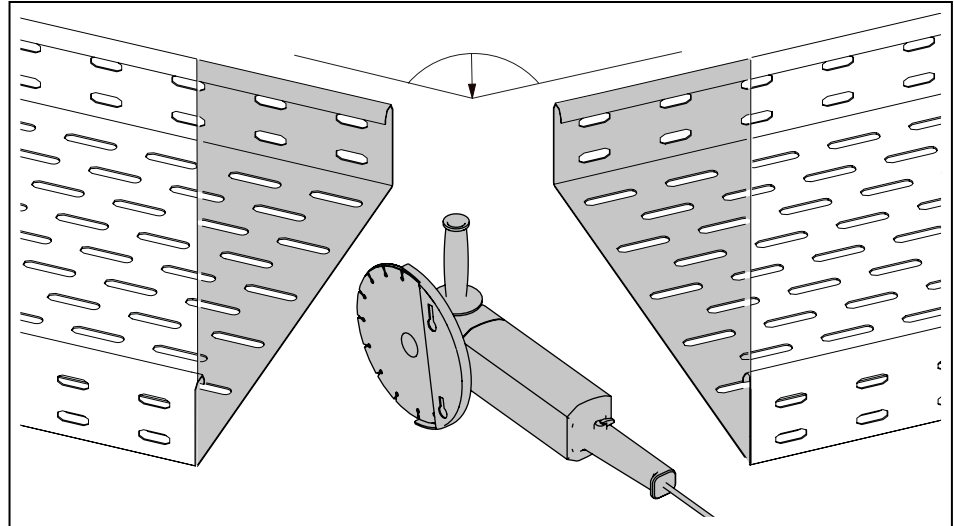


Fig. 23: Cutting the cable trays to create angles

1. Measure the angle and draw it onto the cable trays accordingly.
2. Cut the cable trays with an angle grinder.

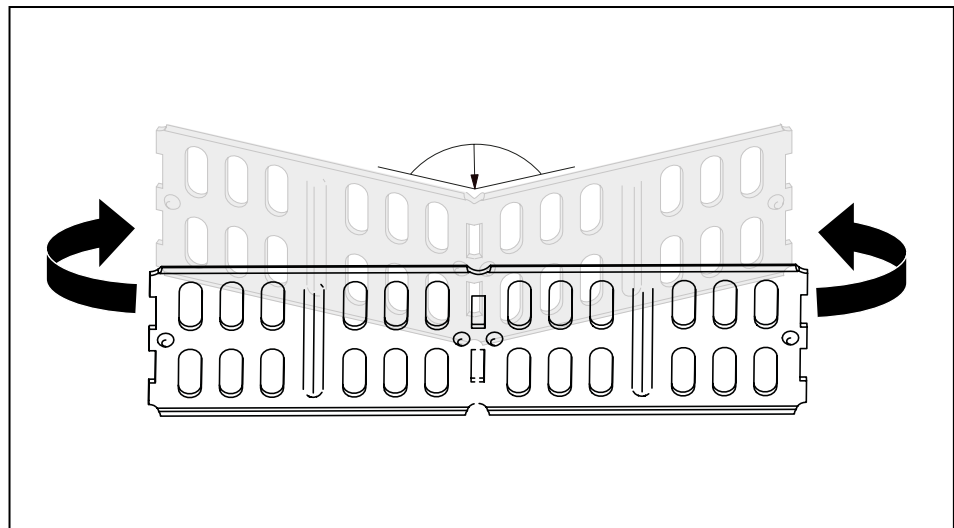


Fig. 24: Bend the RWVL straight and angle connector

3. Bend the angle connector to the desired angle.

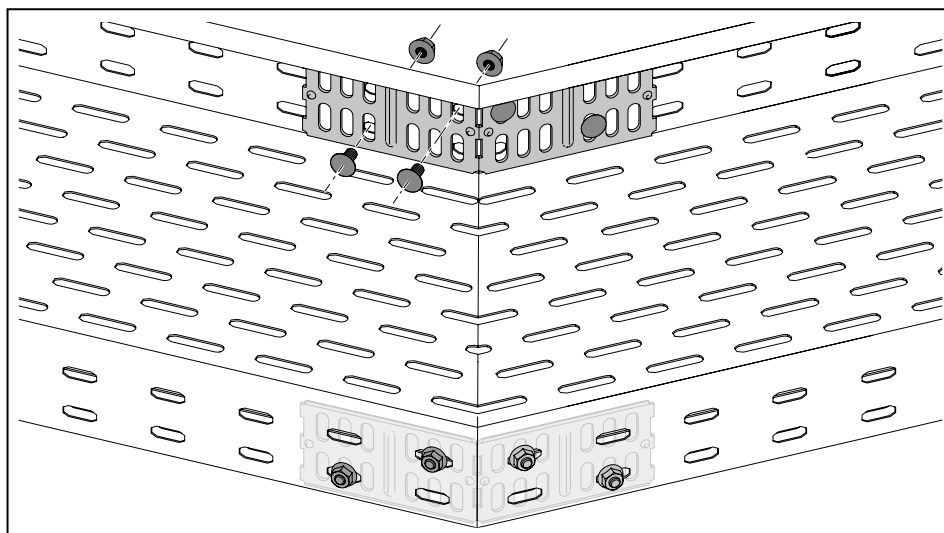


Fig. 25: Screwing on the RWVL straight and angle connector

1. Insert the angle connector on the inner sides of the rail.
2. Screw on the angle connector.

T branch with WKV angle connector

The WKV angle connector is mounted to create a T branch with rounded corners. The WKV angle connector is used with the cable tray heights 35 and 60 mm. The connector is screwed on with FRS M6 truss-head bolts and combination nuts.

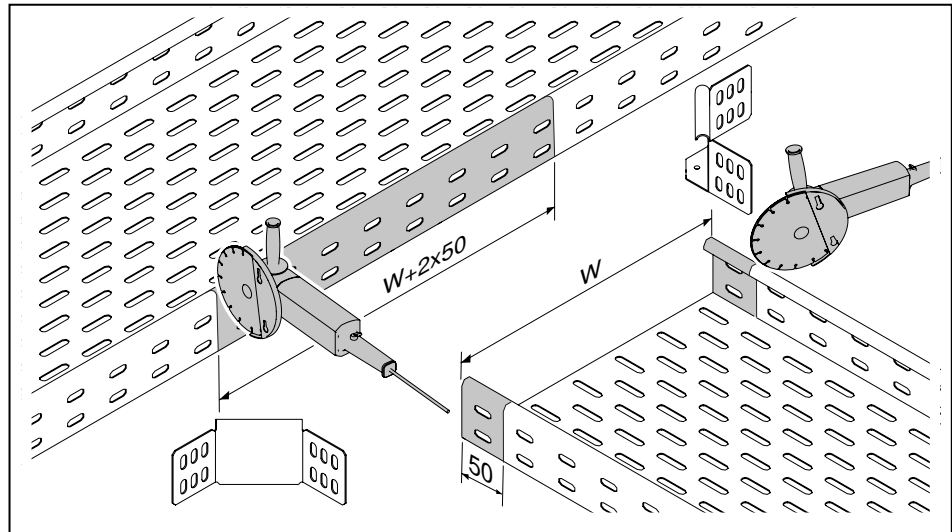


Fig. 26: Notching out cable tray rails for WKV angle connectors

1. Notch out the cable tray rail with the dimension = $W+2 \times 50$ mm.
2. Notch out the second cable tray rail on both sides by 50 mm.

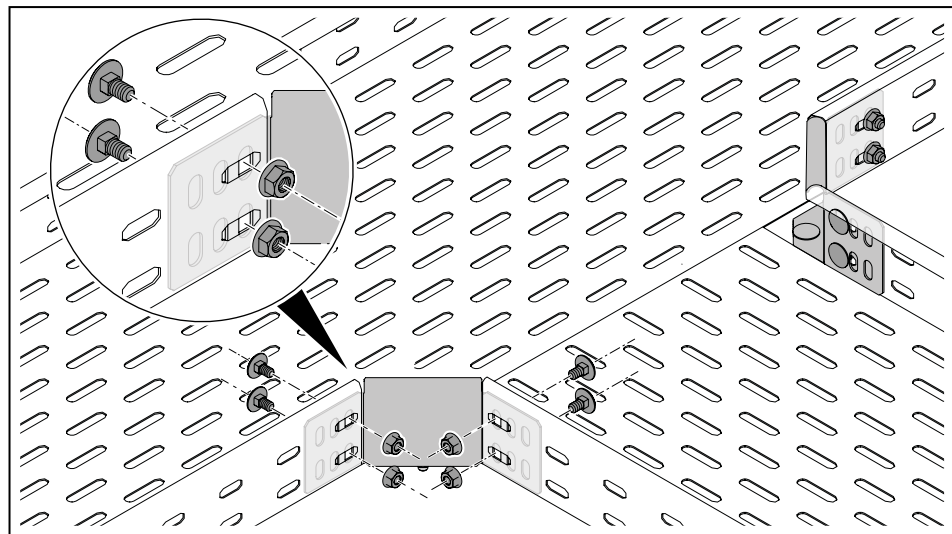


Fig. 27: Mounting WKV angle connectors

3. Insert the straps of the angle connector in the inner sides of the rail.
4. Screw on the angle connector.

90° internal corner with REV corner connector

The REV corner connector is mounted to create 90° internal corners with a large radius, allowing the maintenance of the minimum cable bend radii. The REV corner connector is used with the cable tray heights 35, 60 and 110 mm. The connector is screwed on with FRS M6 truss-head bolts and combination nuts.

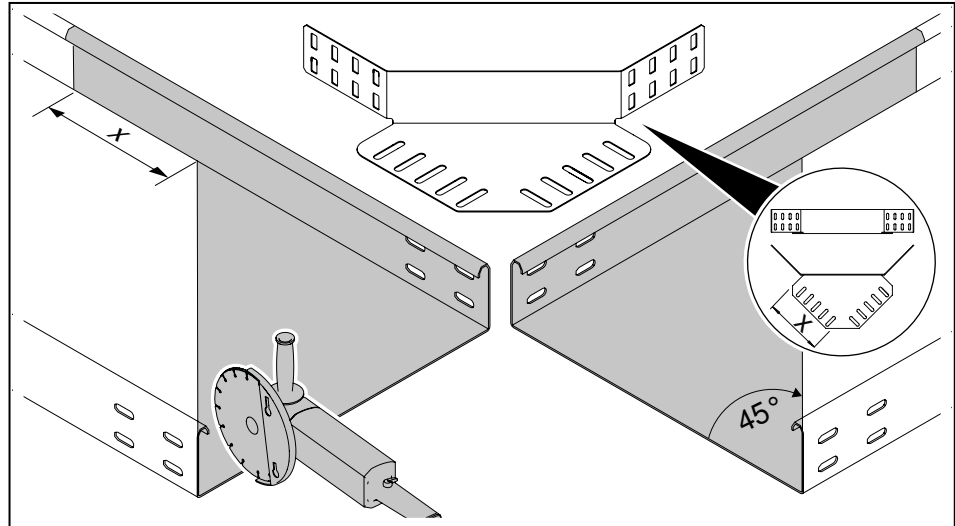


Fig. 28: Cutting the cable trays for the REV corner connector

1. Cut the cable trays at a 45° angle and notch out the cable tray rails with the dimension $x = 100$ mm.

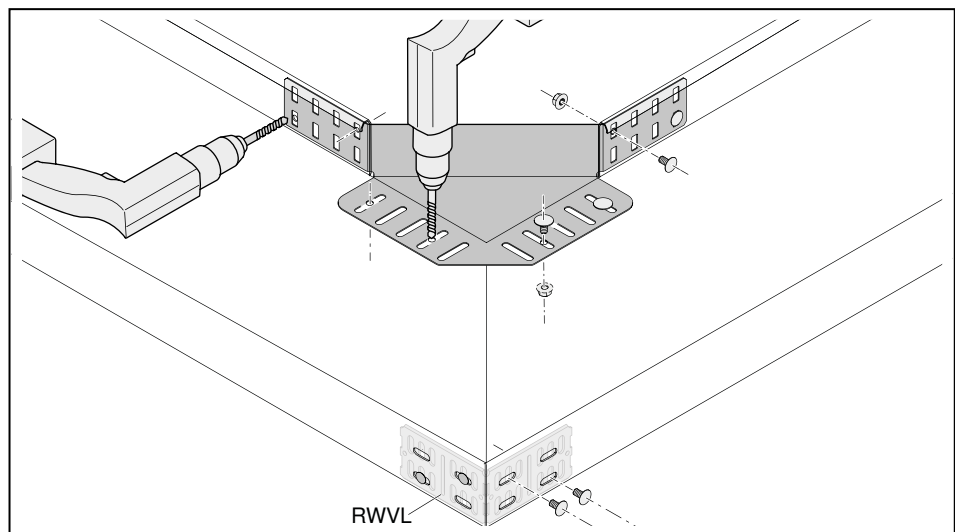


Fig. 29: Mounting the REV corner connector

2. Insert the straps of the corner connector in the inner sides of the rail.
3. Pre-drill the cable tray.
4. Screw on the corner connector.
5. Insert an RWVL straight and angle connector in the external corner on the inner sides of the rail.
6. Screw on the RWVL straight and angle connector.

5.4.3 Creating a vertical connection

The RGV adjustable connector is mounted to create vertical connections of angles of up to 90° for rising or falling sections. The RGV adjustable connector is used with all cable tray heights. In addition, floor end plates are mounted to avoid cable damage due to sharp edges. Connectors and floor end plates are screwed on with FRS M6 truss-head bolts and combination nuts.

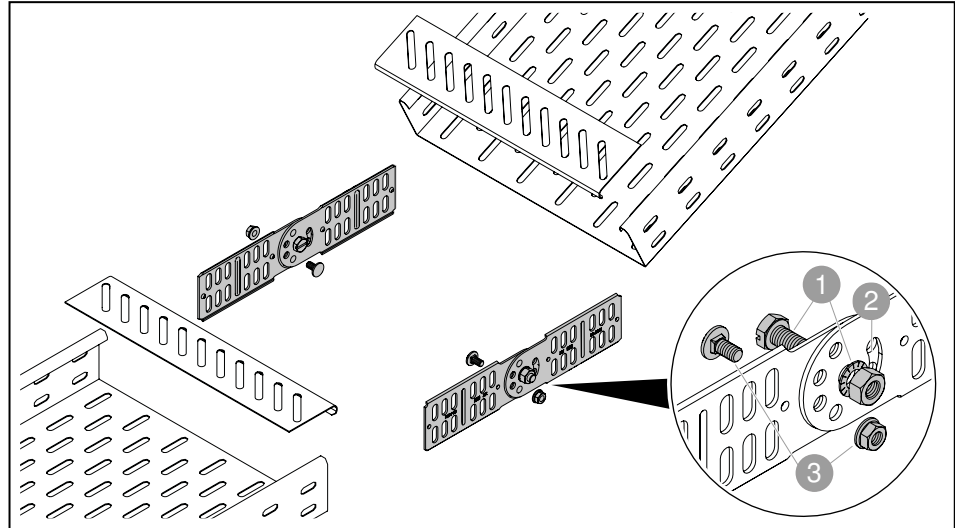


Fig. 30: RGV adjustable connectors and floor end plates

- 1 SKS hinge screw M8x16 mm
- 2 Slot
- 3 Securing screw

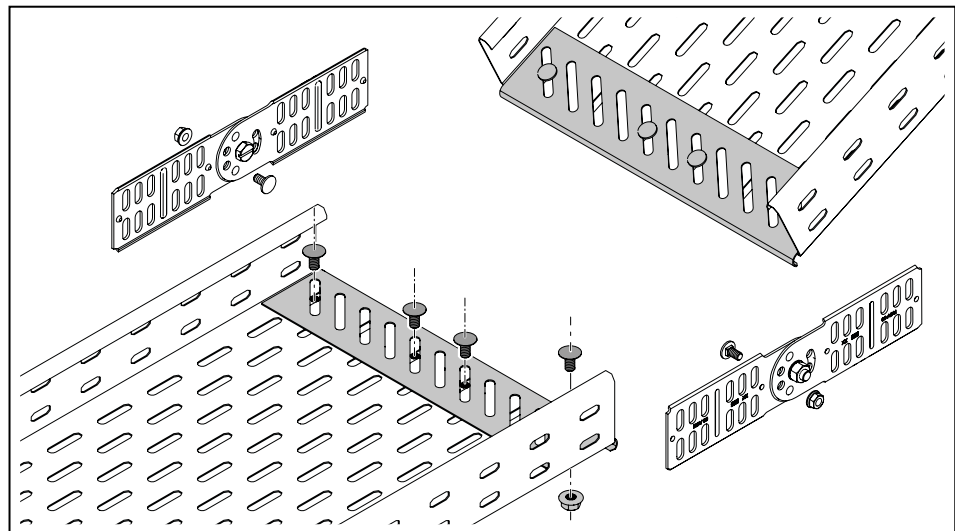


Fig. 31: Screwing on the floor end plates

1. Pre-drill unperforated cable trays for the mounting of the floor end plates.
2. Screw the floor end plates to the ends of the cable trays.

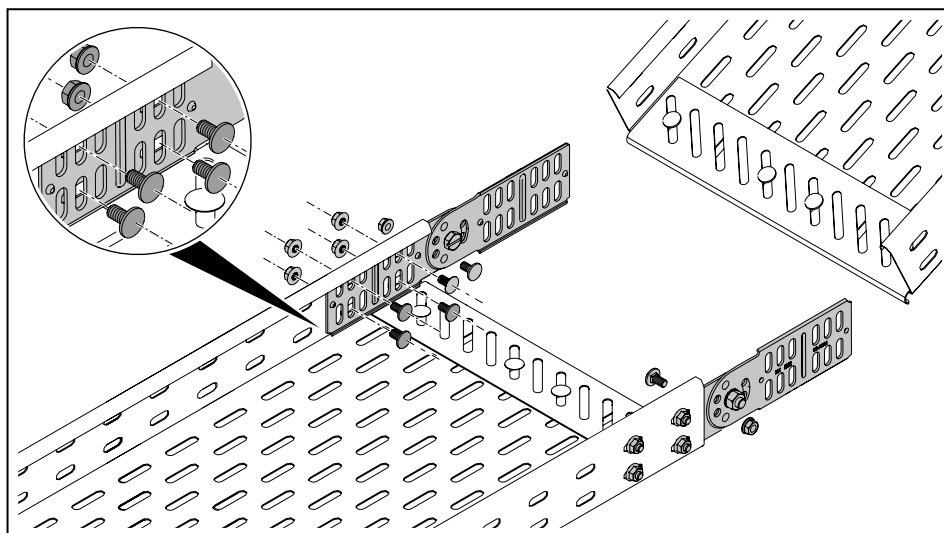


Fig. 32: Screwing on the RGV adjustable connector to the cable tray

3. Insert the adjustable connector in the inner sides of the rail.
4. Screw on the adjustable connectors.

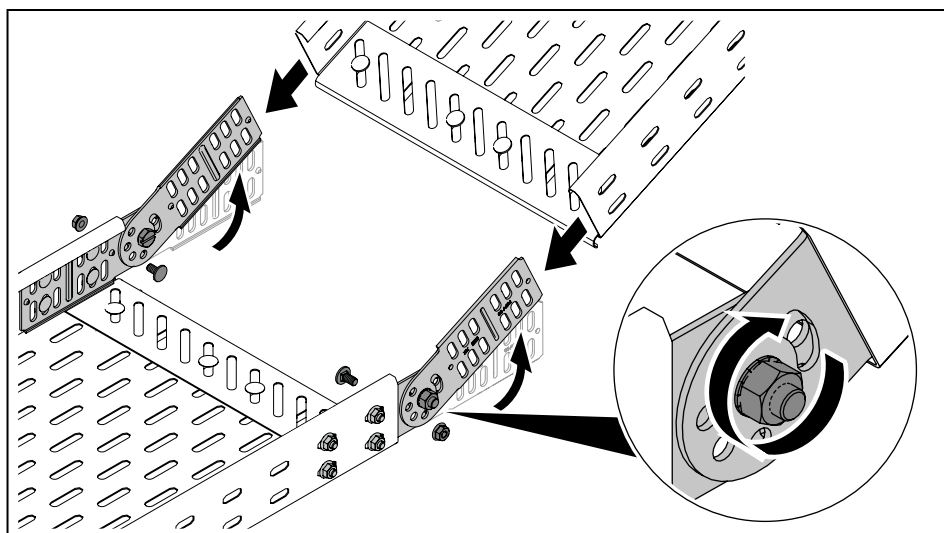


Fig. 33: Tightening the hinge screw

5. Adjust the angle on the adjustable connectors and fix with a hinge screw.
6. Push the second cable tray onto the adjustable connector.

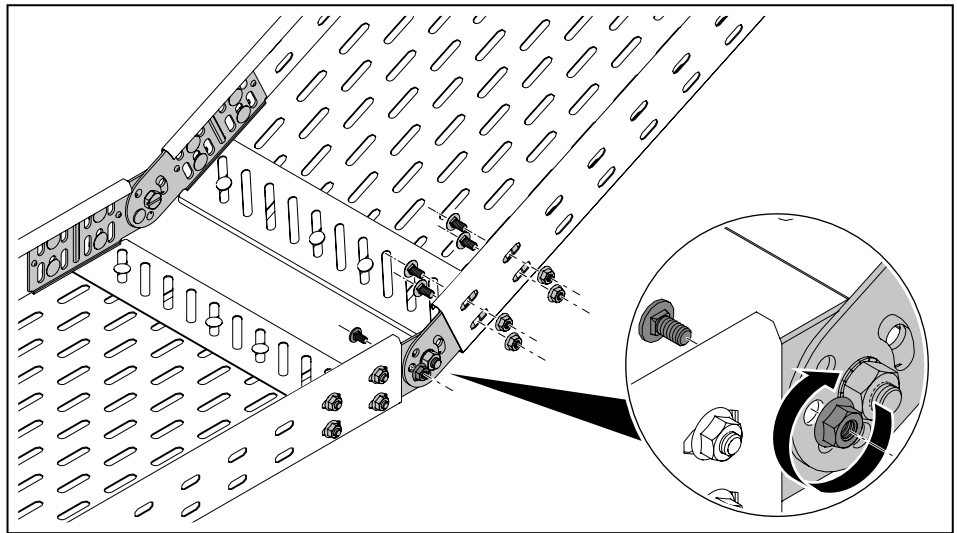


Fig. 34: Tighten the securing screw

7. Screw on the adjustable connectors.
8. Screw on the locking screw in the slot or other available drill hole.

5.5 Mounting fittings

Vertical and horizontal changes of direction are created with fittings.

Normally, fittings of up to 300 mm width are mounted on cable trays with the WKV angle connectors supplied. Fittings with a width of 400 mm or more have a connector perforation and are mounted on cable trays with FRS M6 truss-head bolts and combination nuts.

5.5.1 Supporting a fitting

Fittings must always be supported by the support system. The mounting of the different support systems is shown in special mounting instructions, see “1.6 Applicable documents” on page 6.



WARNING

Risk of the support system falling!

If fittings are not supported, cable loads can become too heavy, destabilising the entire support system. There is a risk of the support system falling. Depending on their width, support the fittings with an additional support element.

Fitting support up to 300 mm width

Up to a width of 300 mm, mounting of one support of the cable trays at a distance of 250–300 mm from the edge of the fitting is sufficient.

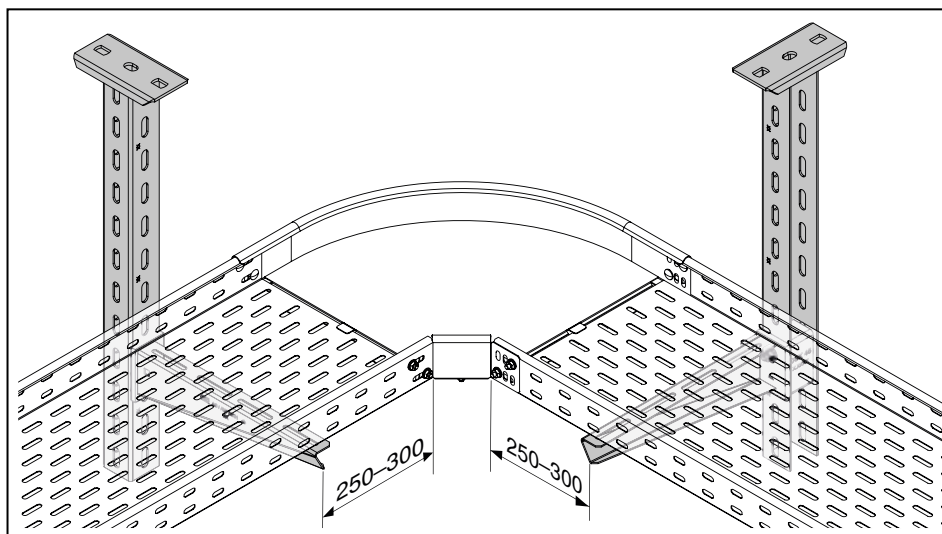


Fig. 35: Example of 90° bend fitting support

1. Support the fitting with a support structure at a distance of 250–300 mm from the edge.

Fitting support from 400 mm width

From a width of 400 mm, support of the cable trays is mounted at a distance of 250–300 mm from the edge of the fitting. From a width of 400 mm, a support element must additionally be mounted under the fitting when the system is fully assigned. With fittings of a width of > 400 mm, an additional support element must always be mounted under the fitting.

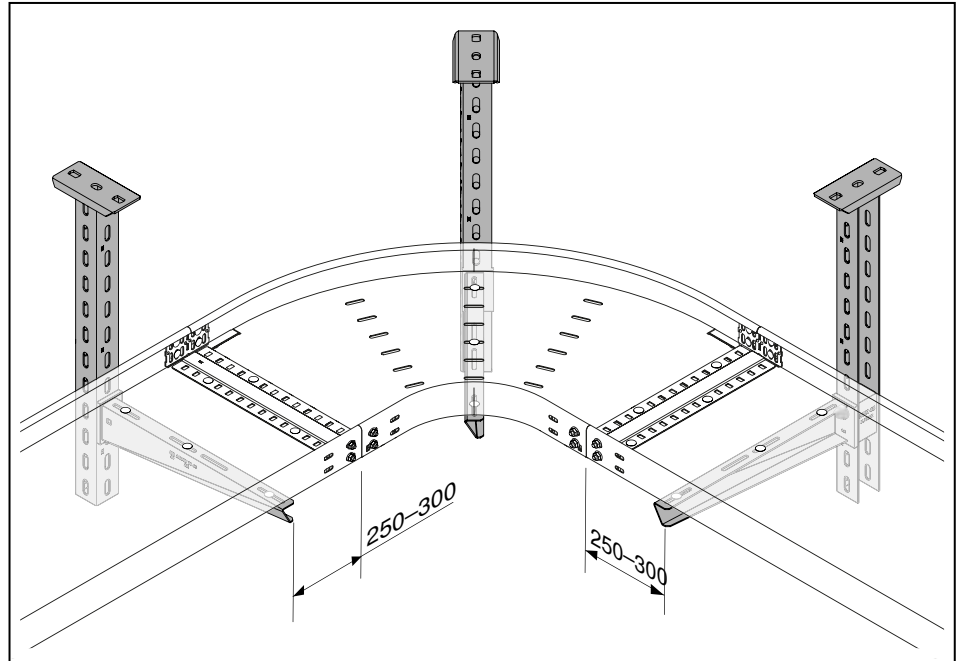


Fig. 36: Example of 90° bend fitting support

1. Support the fitting with a support structure at a distance of 250–300 mm from the edge.
2. Mount an additional support element under the fitting.

5.5.2 Mounting WKV angle connections on a fitting

The supplied angle connectors must first be mounted on the fitting with the supplied FRS M6 truss-head bolts and combination nuts. The WKV angle connector is mounted in the same way on all fittings with a width of 100–300 mm.

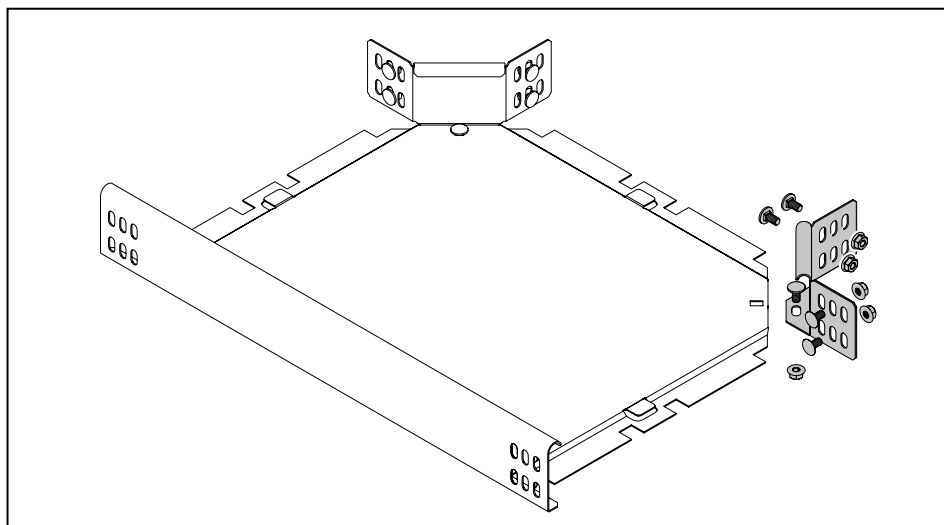


Fig. 37: WKV angle connector and fitting

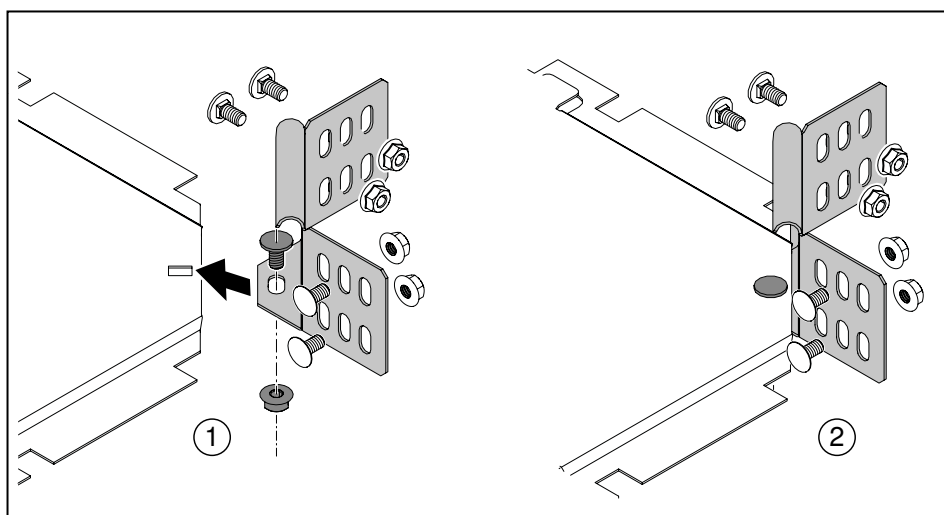


Fig. 38: Mounting WKV angle connectors on a fitting

1. Push the strap under the fitting.
2. Screw the strap to the fitting.

5.5.3 Mounting the 45°/90° bend

Depending on their width, 45° and 90° bends are available with or without WKV angle connectors. 45° and 90° bends are mounted in the same way. This chapter shows the mounting of the 90° bend as an example.

With connector, 100–300 mm cable tray width

1. With unperforated cut cable trays, pre-drill the connector perforation for angle connectors and the external connection of cable tray and fitting.
2. Mount the WKV angle connectors on a bend.

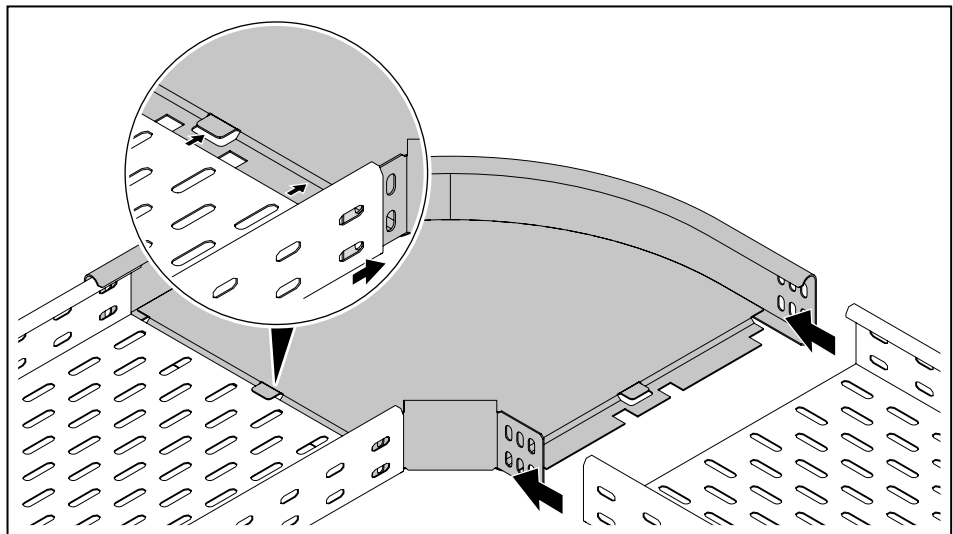


Fig. 39: Pushing the 90° bend onto a cable tray

3. Push the 90° bend onto cable trays. In so doing, the external cable tray rail is located within the fitting and the internal rail outside the fitting.

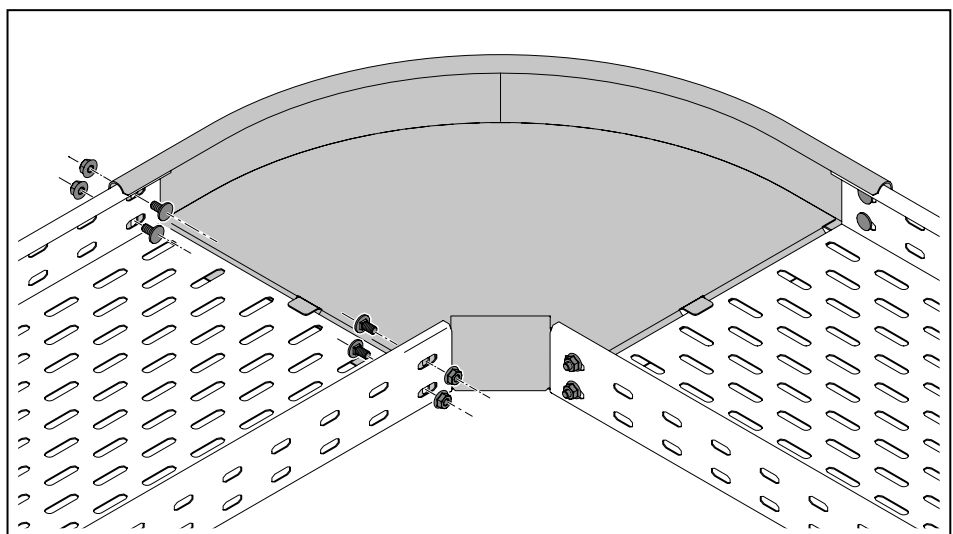


Fig. 40: Screwing on a 90° bend

4. Screw the 90° bend to cable trays.

Without connector, 400–600 mm cable tray width

Bends with a width of 400 mm or more have connector perforation. Bends with a side height of 35 or 60 mm are mounted with RLVK 35/60 straight connectors and a joint plate. Bends with a side height of 85 or 110 mm are mounted with RLVL 85/110 straight connectors and a joint plate. The straight connector and the joint plate are screwed on with FRS M6 truss-head bolts and combination nuts.

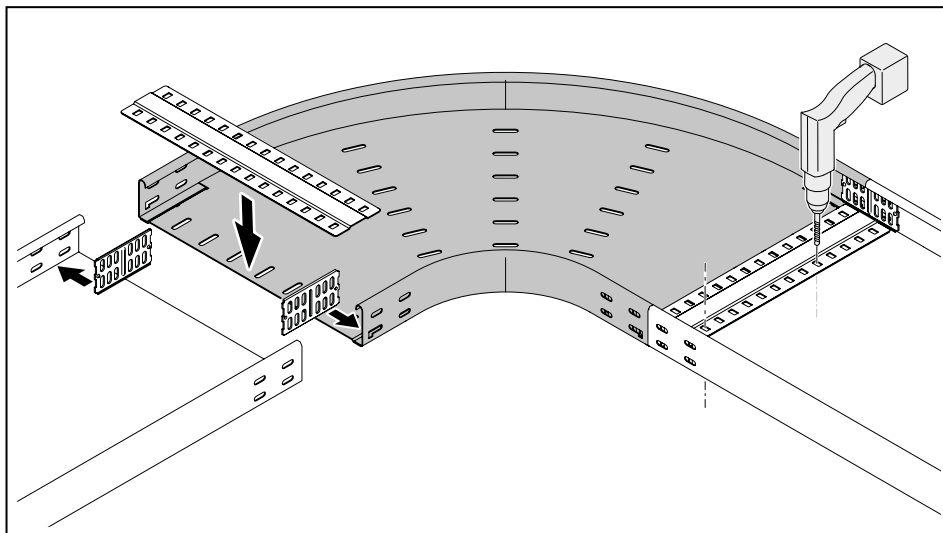


Fig. 41: Pre-drilling the mounting holes for the joint plate

1. Pre-drill unperforated cable trays for the mounting of the joint plates.
2. Insert RLVK or RLVL straight connectors on the inner side of the rail.

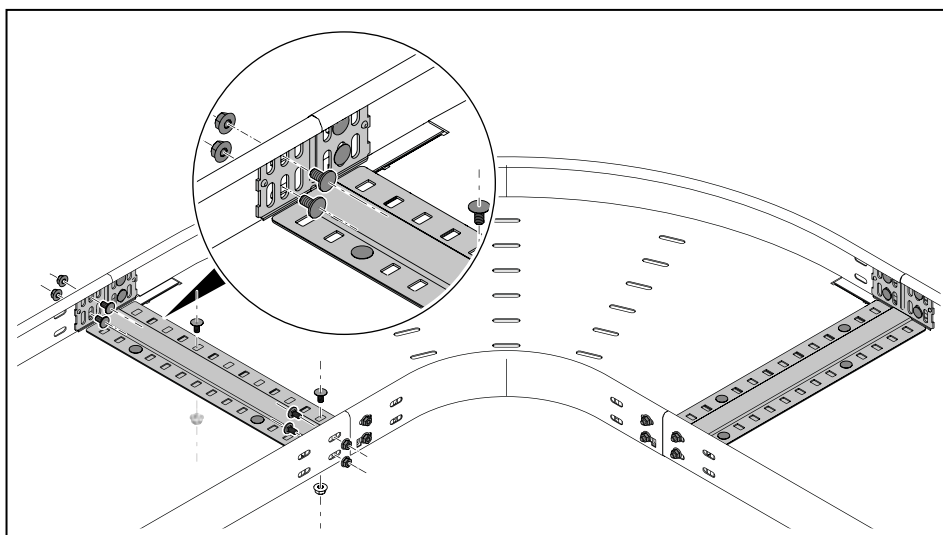


Fig. 42: Screwing on the straight connectors and joint plates

3. Screw on the straight connector.
4. Screw on the joint plates.

5.5.4 Mounting a falling/rising vertical bend

Rising or falling vertical bends are used to route cables in a 90° vertical angle. Vertical bends are available in the widths 100–600 mm. Vertical bends have connector perforation and are screwed on with FRS M6 truss-head bolts and combination nuts.

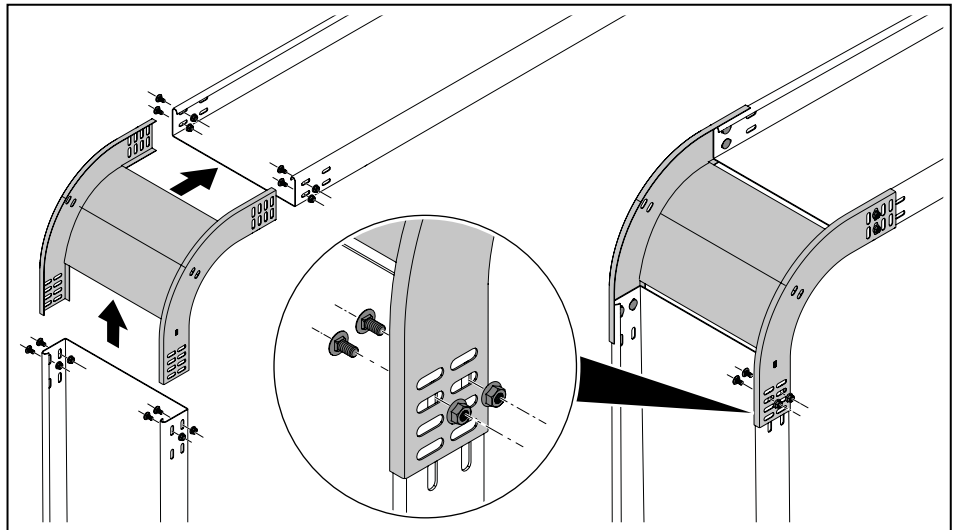


Fig. 43: Mounting a falling vertical bend

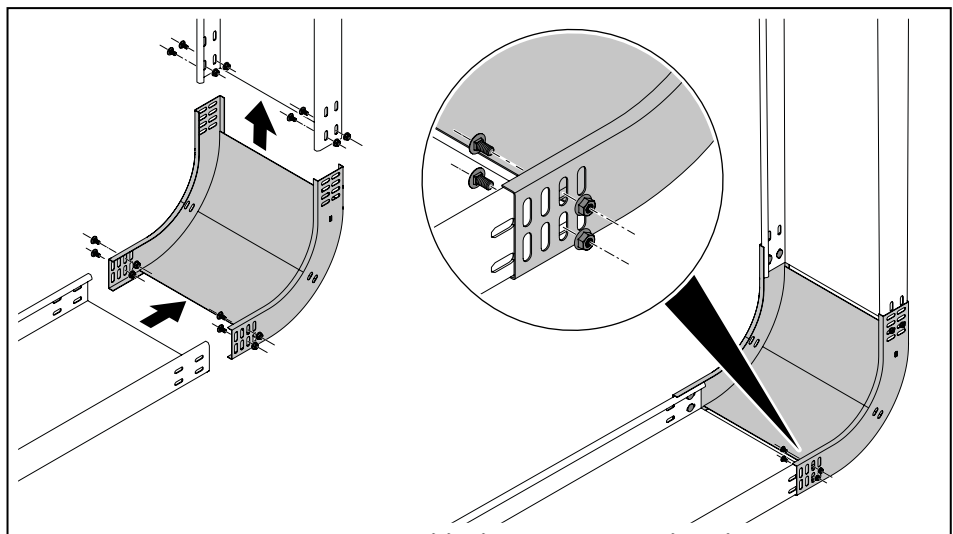


Fig. 44: Mounting a rising vertical bend

1. Push the vertical bend onto the first cable tray. In so doing, the outer cable tray rails are within the vertical bend.
2. Screw the vertical bend to the first cable tray.
3. Push the second cable tray into the vertical bend.
4. Screw the vertical bend to the second cable tray.

5.5.5 Mounting an add-on tee

Add-on tees are mounted to create T branches with small bend radii. Depending on their width, add-on tees are available with or without WKV angle connectors.

With connector, 100–300 mm cable tray width

1. With unperforated cut cable trays, pre-drill the connector perforation for angle connectors and joint plates.
2. Mount the WKV angle connector on the add-on tee.

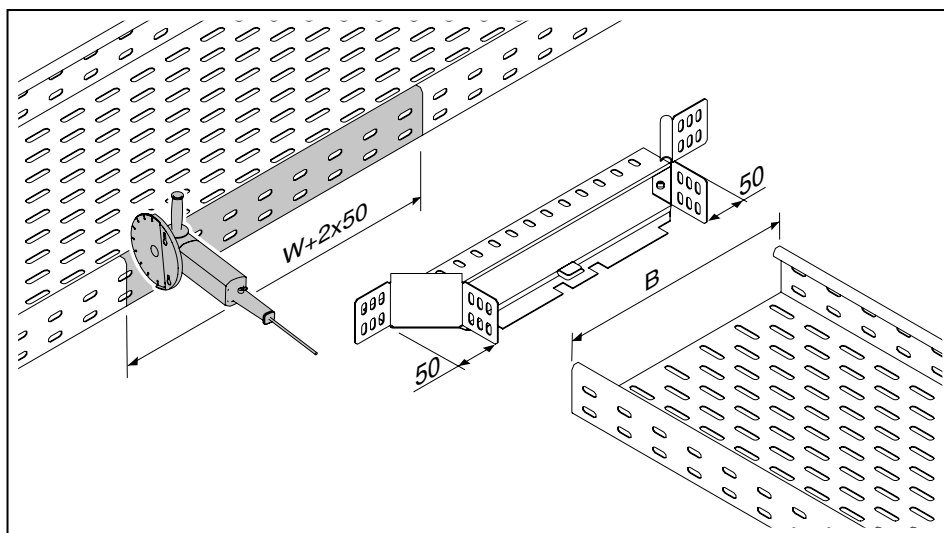


Fig. 45: Notching out a cable tray rail

3. Notch out the cable tray rail with the dimension = $W+2 \times 50$ mm.

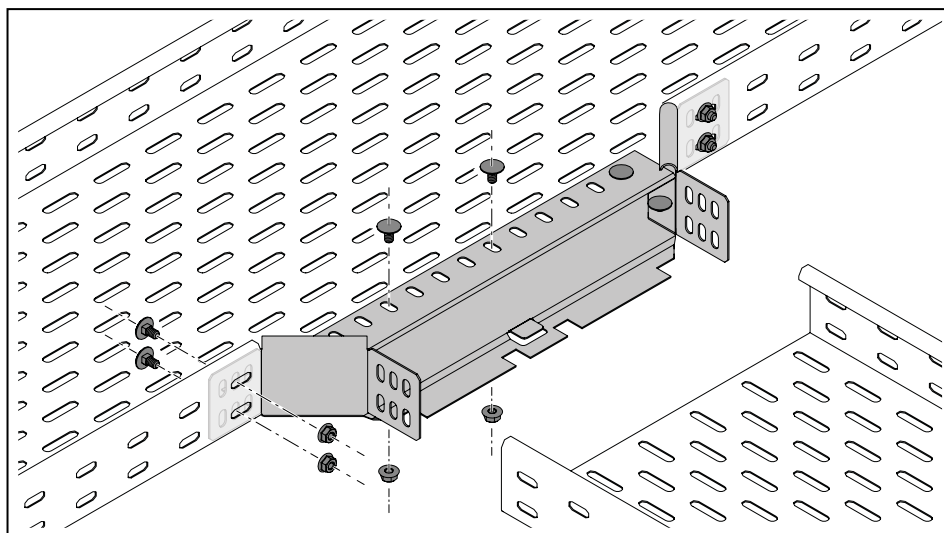


Fig. 46: Screwing the add-on tee on a continuous cable tray

4. Insert the straps of the angle connector to the inner side of the notched-out cable tray rail.
5. Screw the add-on tee to the cable tray rail and cable tray base.

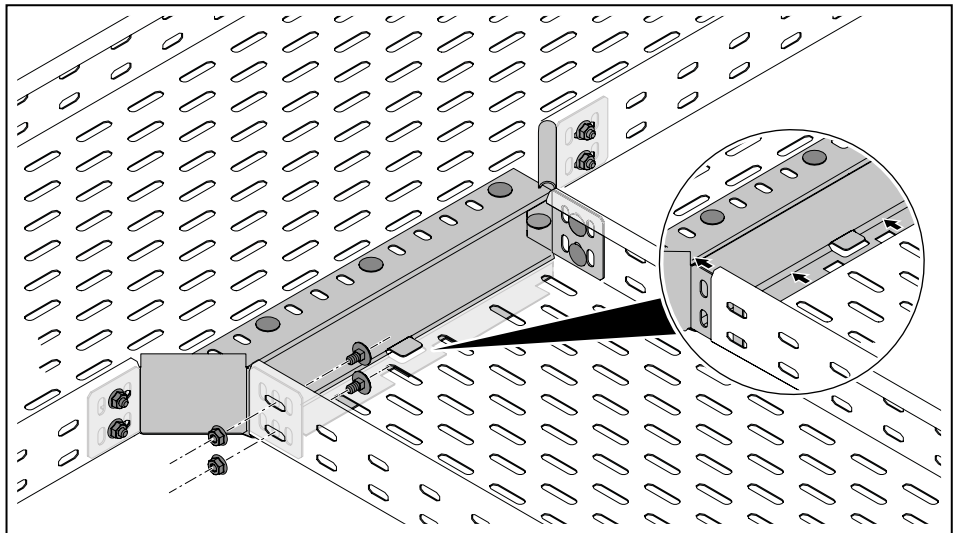


Fig. 47: Screwing the branching cable tray to the add-on tee

6. Push the branching cable tray onto the straps of the angle connector.
7. Screw on the cable tray.

Without connector, 400–600 mm cable tray width

Add-on tees with a width of 400 mm or more have connector perforation. Add-on tees with a side height of 35 or 60 mm are mounted with RLVK 35/60 straight and angle connectors. Add-on tees with a side height of 85 or 110 mm are mounted with RLVL 85/110 straight and angle connectors. The straight and angle connectors are screwed on with FRS M6 truss-head bolts and combination nuts.

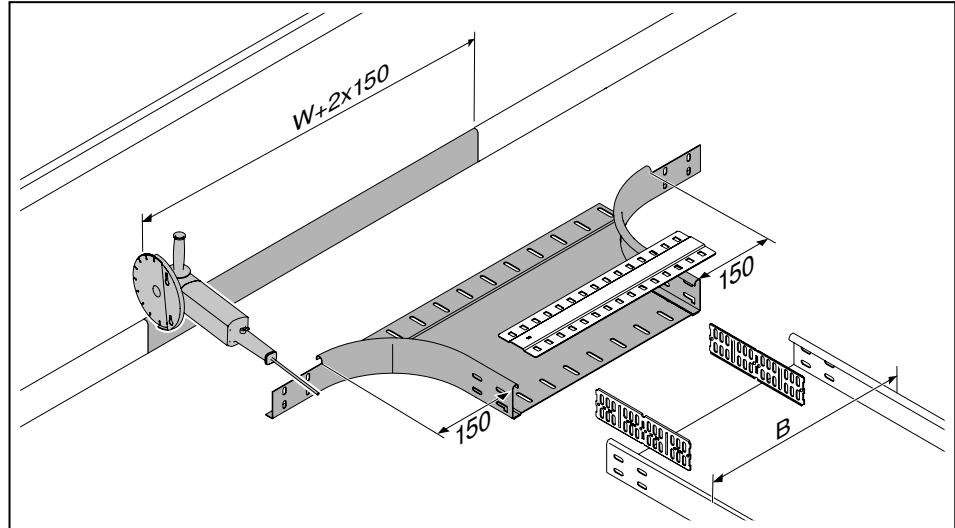


Fig. 48: Notching out a cable tray rail

1. Notch out the cable tray rail with the dimension = $W+2 \times 150$ mm.

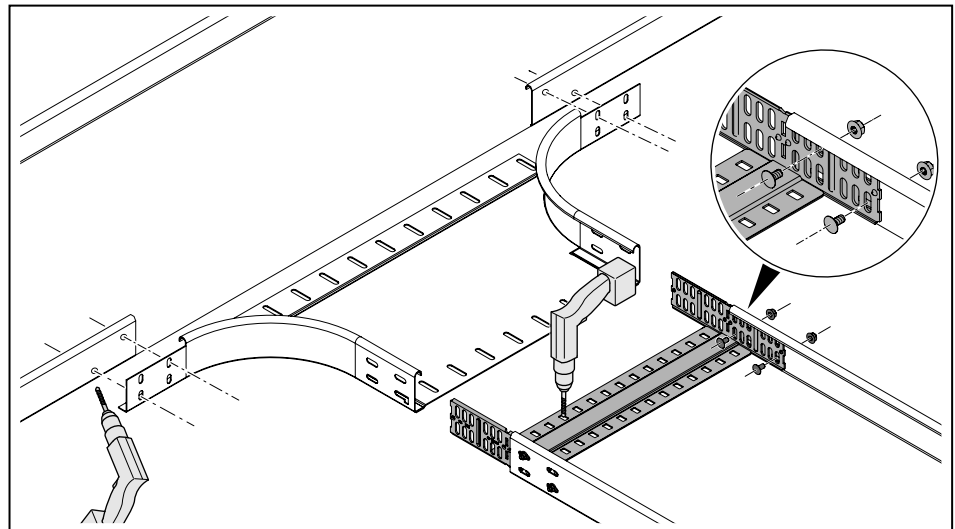


Fig. 49: Mounting the connector and joint plate

2. Pre-drill the connector perforation for the add-on tee and joint plate.
3. Screw the RLVK or RLVL straight and angle connector to the branching cable tray.
4. Screw the joint plate to the branching cable tray.

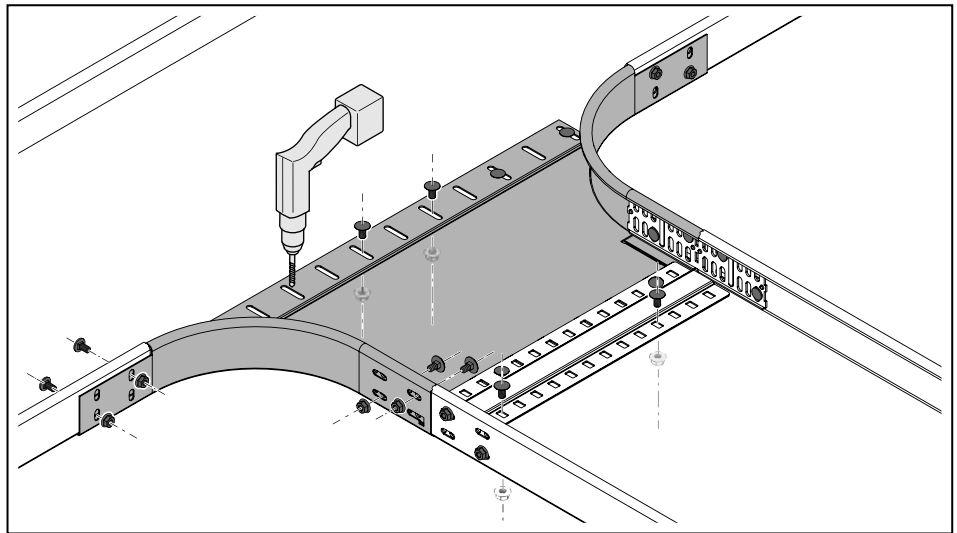


Fig. 50: Mounting the add-on tee on a branching cable tray

5. Place the add-on tee on the notched-out cable tray rail.
6. Drill the connector perforation in the cable tray base for the add-on tee.
7. Screw the add-on tee to the cable tray rail and cable tray base.
8. Push the RLVK or RLVL straight and angle connector of the branching cable tray into the add-on tee.
9. Screw the RLVK or RLVL straight and angle connector to the add-on tee.
10. Screw the joint plate to the add-on tee.

5.5.6 Mounting the T branch piece

T branch pieces are mounted to create T branches with large bend radii. Depending on their width, T branch pieces are available with or without WKV angle connectors.

With connector, 100–300 mm cable tray width

1. Mount the WKV angle connector on the T branch piece.

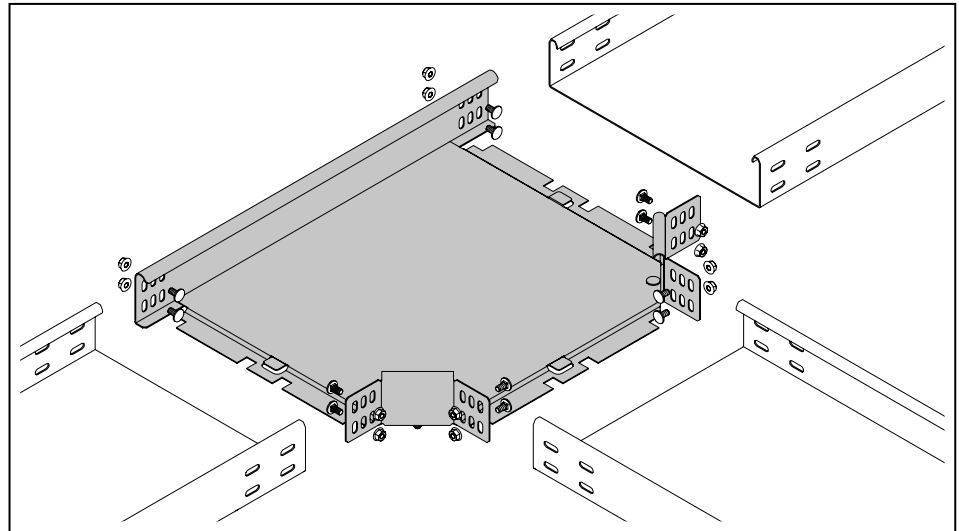


Fig. 51: T branch piece with WKV angle connectors

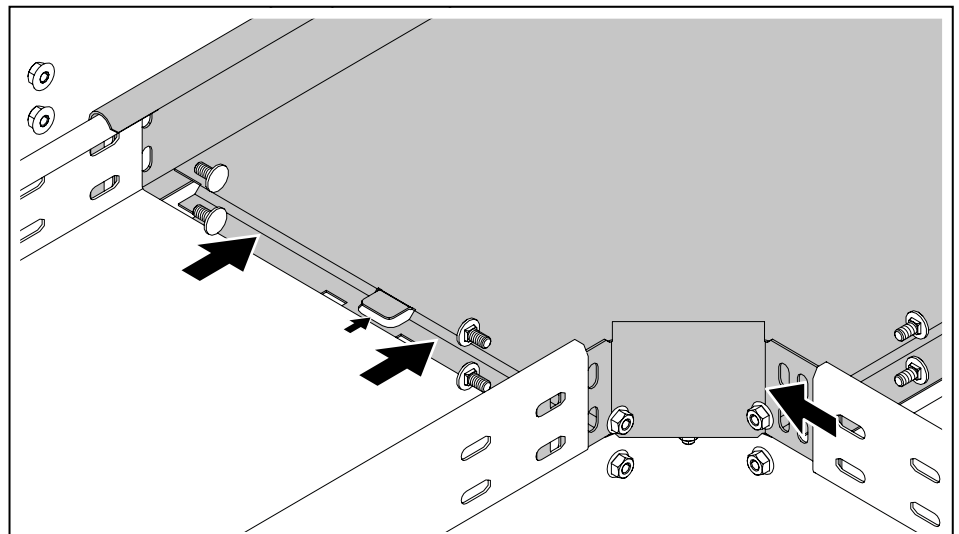


Fig. 52: Pushing the cable trays onto the T branch piece

2. Push the cable trays onto the T branch piece. In so doing, the outer cable tray rails are within the fitting. The straps of the WKV angle connector are on the inner side of the cable tray rails.

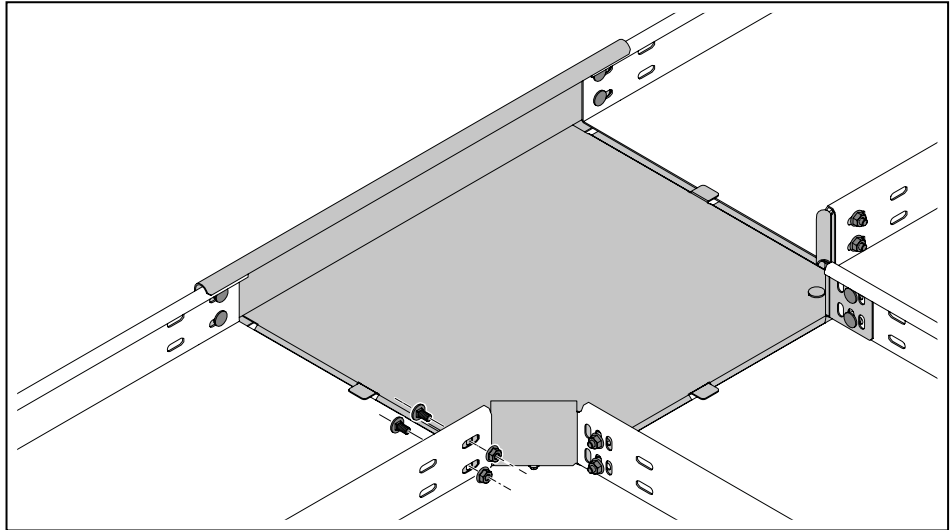


Fig. 53: Screwing on the T branch piece

3. Screw the cable trays to the T branch piece.

Without connector, 400–600 mm cable tray width

T branch pieces with a width of 400 mm or more have connector perforation. T branch pieces with a side height of 35 or 60 mm are mounted with RLVK 35/60 straight and angle connectors. T branch pieces with a side height of 85 or 110 mm are mounted with RLVL 85/110 straight and angle connectors. The straight and angle connectors are screwed on with FRS M6 truss-head bolts and combination nuts.

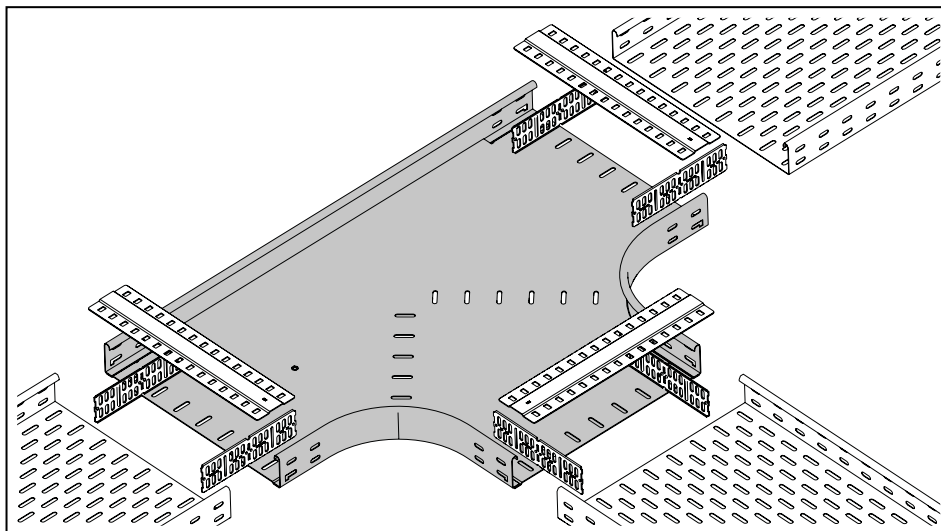


Fig. 54: T branch piece with RLVL straight and angle connectors and joint plates

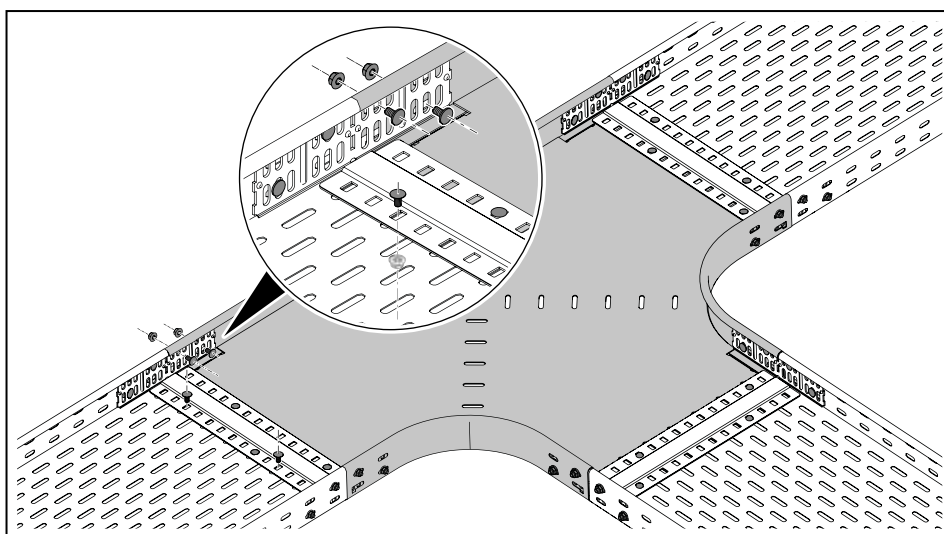


Fig. 55: Mounting a T branch piece with RLVL straight and angle connectors

1. With unperforated cut cable trays, pre-drill the connector perforation for straight and angle connectors and joint plates.
2. Screw the straight and angle connector to the T branch piece.
3. Push the cable trays over the straight and angle connector.
4. Screw on the cable trays.
5. Screw on the joint plates.

5.5.7 Mounting a cross-over

Cross-overs are mounted to create branches in all directions. Depending on their width, cross-overs are available with or without WKV angle connectors.

With connector, 100–300 mm cable tray width

1. Mount the WKV angle connector at the cross-over.

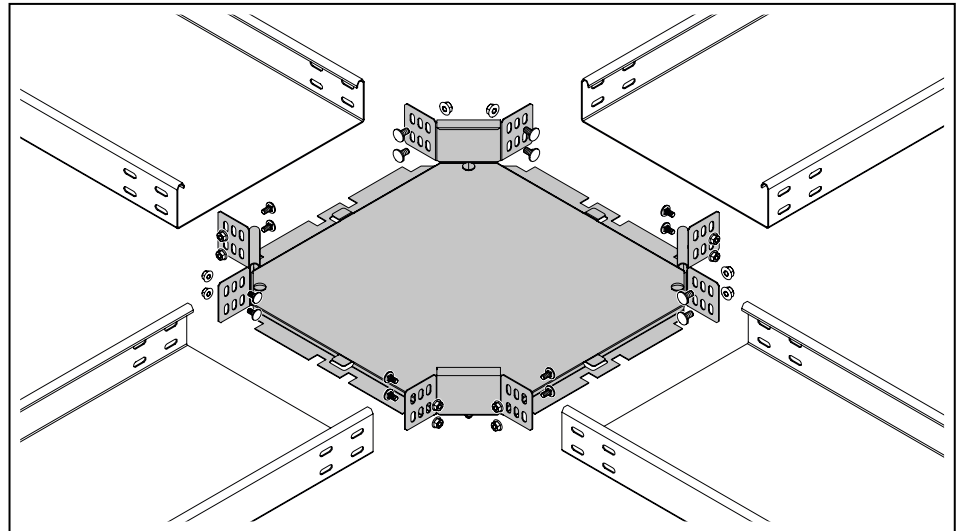


Fig. 56: Cross-over with WKV angle connectors

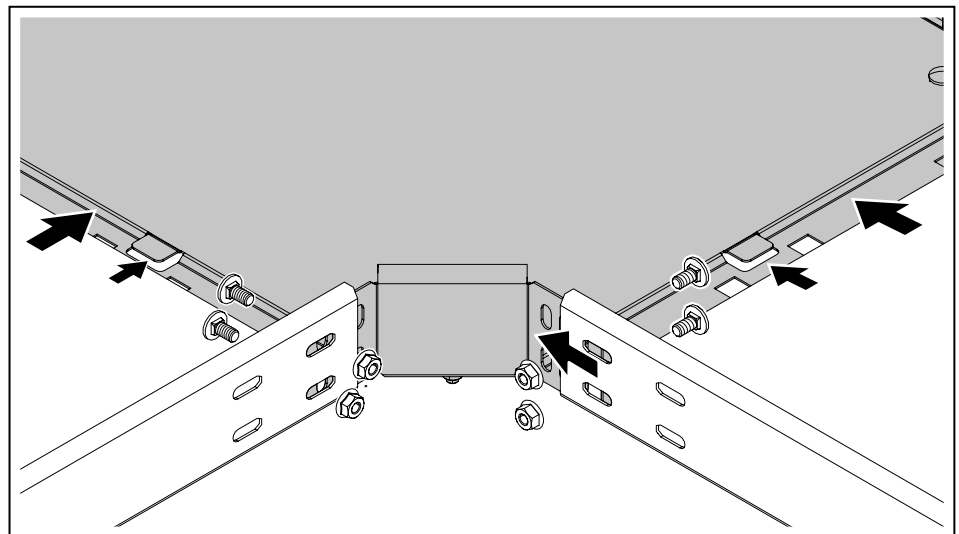


Fig. 57: Pushing cable trays onto the cross-over

2. Push the cable trays onto the cross-over. The straps of the WKV angle connector are on the inner side of the cable tray rails.

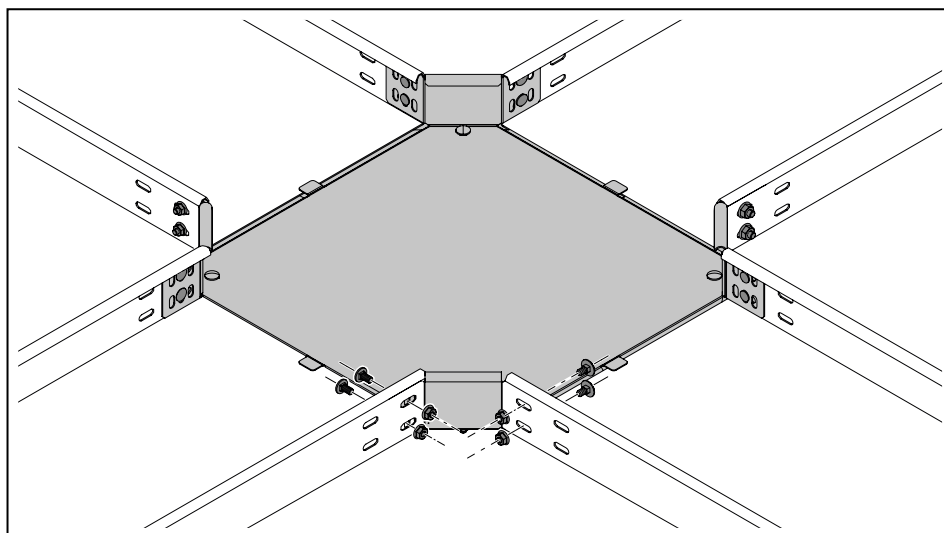


Fig. 58: Screwing on a cross-over

3. Screw the cable trays to the cross-over.

Without connector, 400–600 mm cable tray width

Cross-overs with a width of 400 mm or more have connector perforation. Cross-overs with a side height of 35 or 60 mm are mounted with RLVK 35/60 straight and angle connectors. Cross-overs with a side height of 85 or 110 mm are mounted with RLVL 85/110 straight and angle connectors. The straight and angle connectors are screwed on with FRS M6 truss-head bolts and combination nuts.

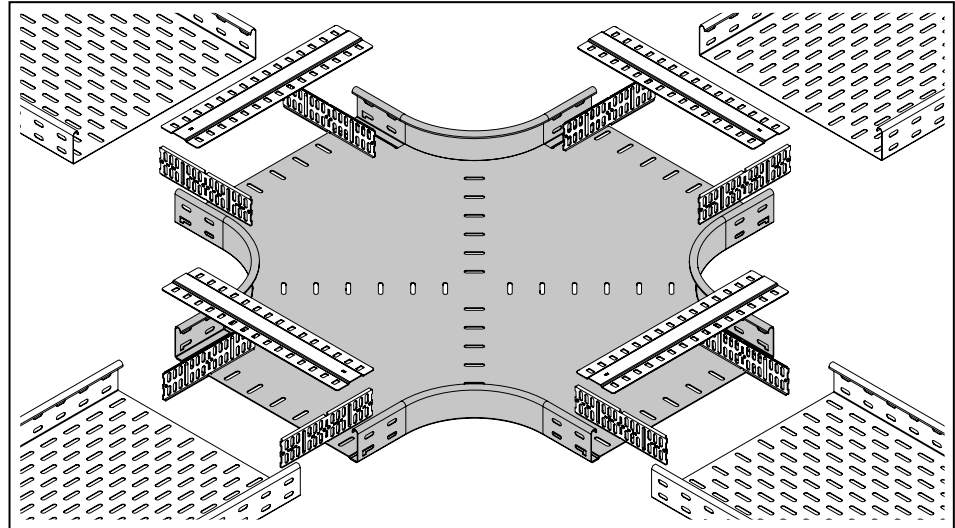


Fig. 59: Cross-over with RLVL straight and angle connectors and joint plates

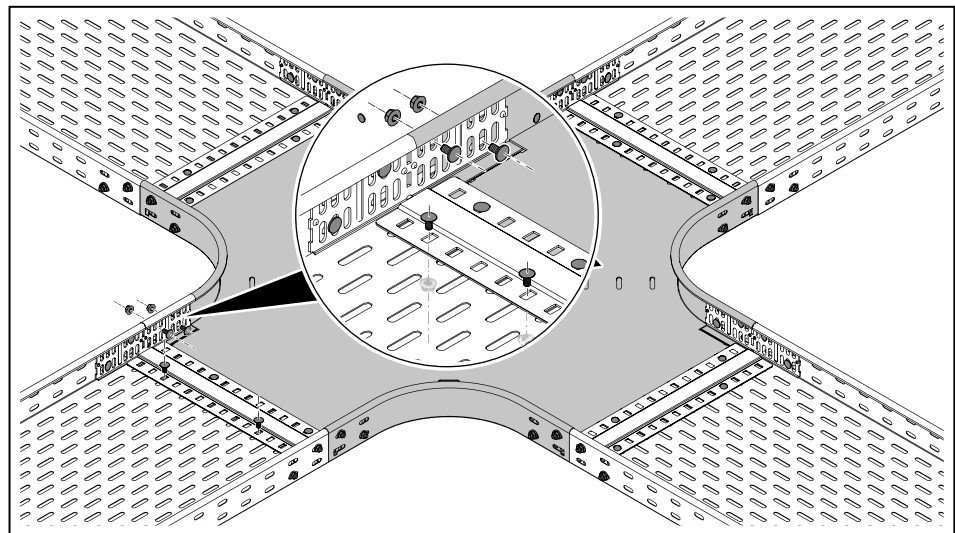


Fig. 60: Mounting a cross-over with RLVL straight and angle connectors

5.5.8 Mounting adjustable bend elements

Adjustable bend elements are used to create height offsets with flexible bends. Adjustable bend elements are mounted on the cable tray with a half adjustable connector and FRS M6 truss-head bolts and combination nuts. Adjustable bend elements are interconnected with SKS M8x16 hinge screws and locking screws. The angles should be flexible. Floor end plates are mounted at the ends of the cable trays, in order to avoid cable damage.

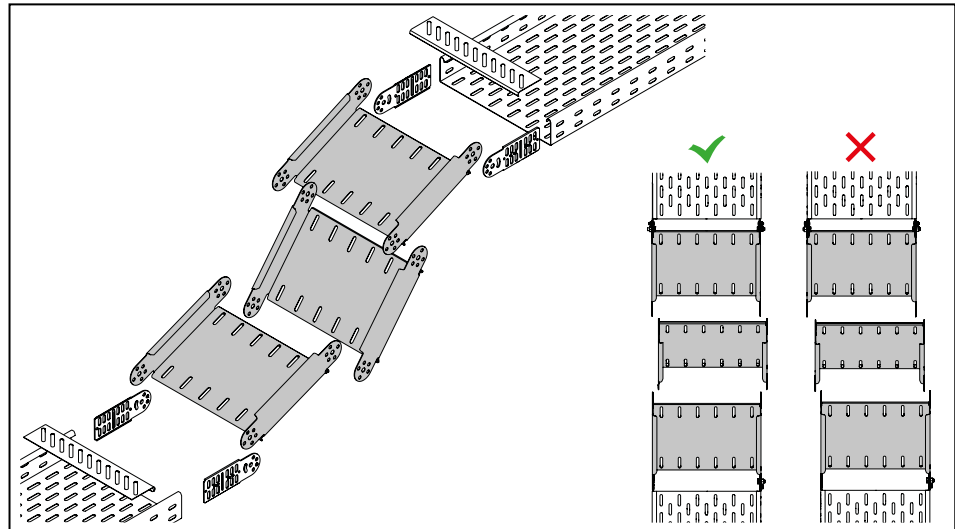


Fig. 61: Adjustable bend elements with half adjustable connectors and floor end plates

Note! *Always arrange adjustable bend elements with alternating offsets, in order to avoid a one-sided directional offset.*

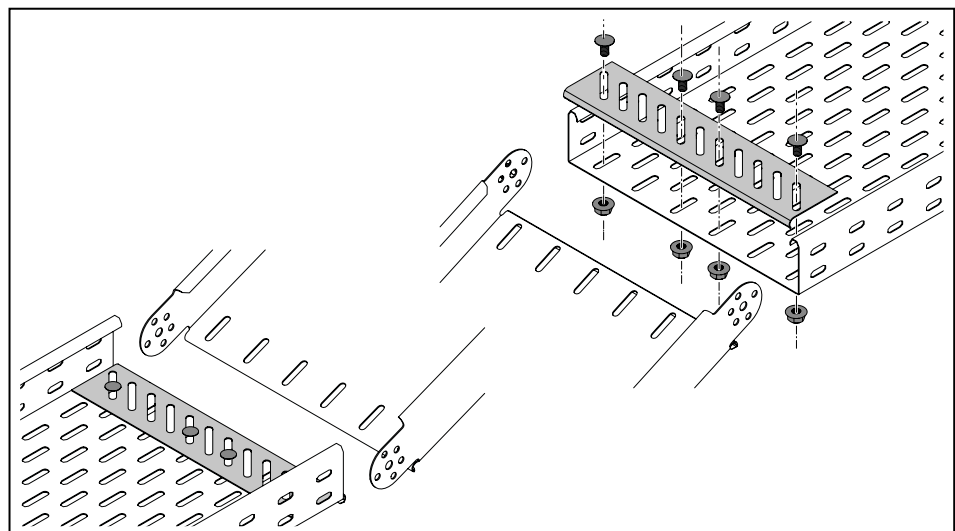


Fig. 62: Mounting floor end plates

1. With unperforated cut cable trays, pre-drill the connector perforation for adjustable connectors and floor end plates.
2. Screw floor end plates to cable tray bases.

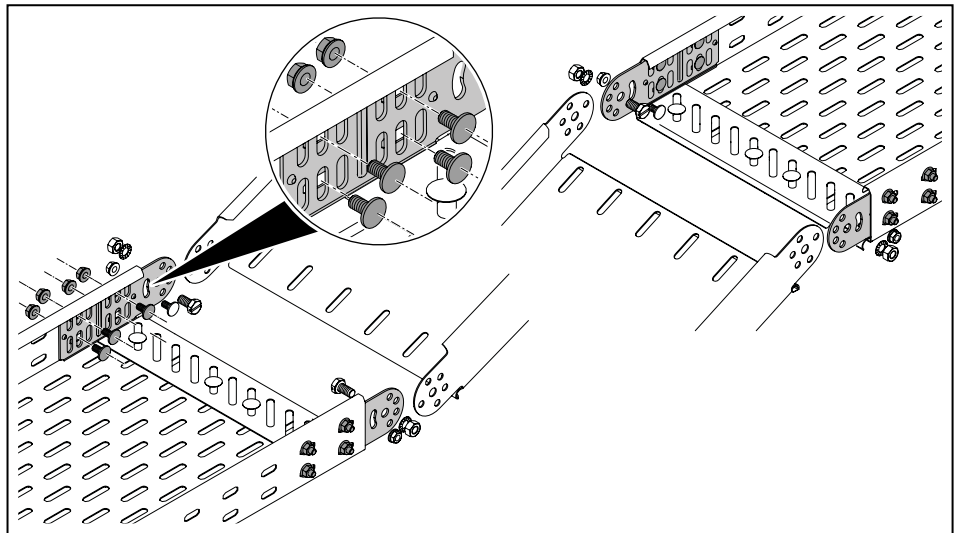


Fig. 63: Mounting adjustable connectors on cable trays

3. Screw the adjustable connector to the inner sides of the rail.

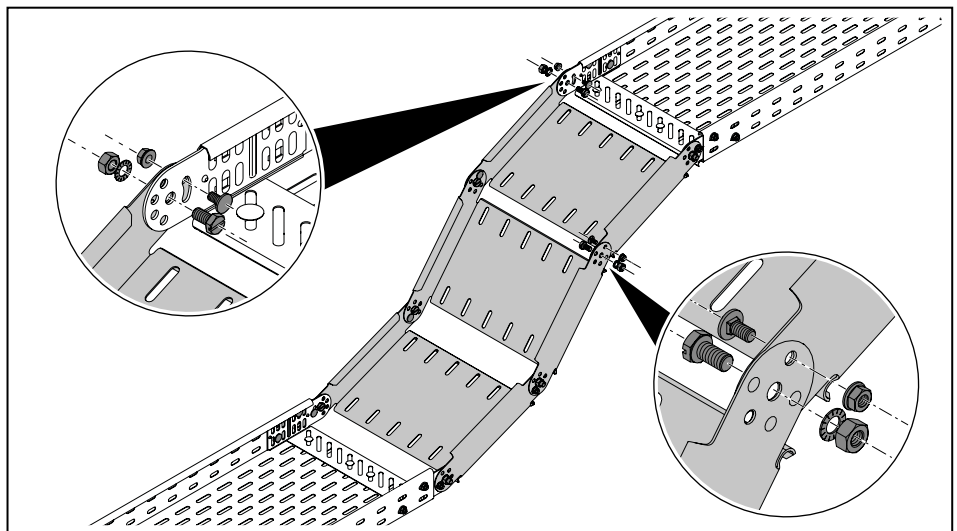


Fig. 64: Mounting adjustable bend elements

4. Fasten adjustable bend elements to adjustable connectors with SKS M8x16 hinge screws.
5. Adjust the angle.
6. Screw on the locking screws in the slot or other available drill hole.
7. Mount other adjustable bend elements with hinge screws and locking screws.

5.5.9 Mounting a reducer profile/end closure

Reducer profiles/end closures are used to reduce tray widths or to close them off completely. Reducer profiles/end closures have connector perforation and are screwed on with FRS M6 truss-head bolts and combination nuts.

Mounting a reducer profile

1. With unperforated cut cable trays, pre-drill the connector perforation for connectors, reducer profiles and joint plates.

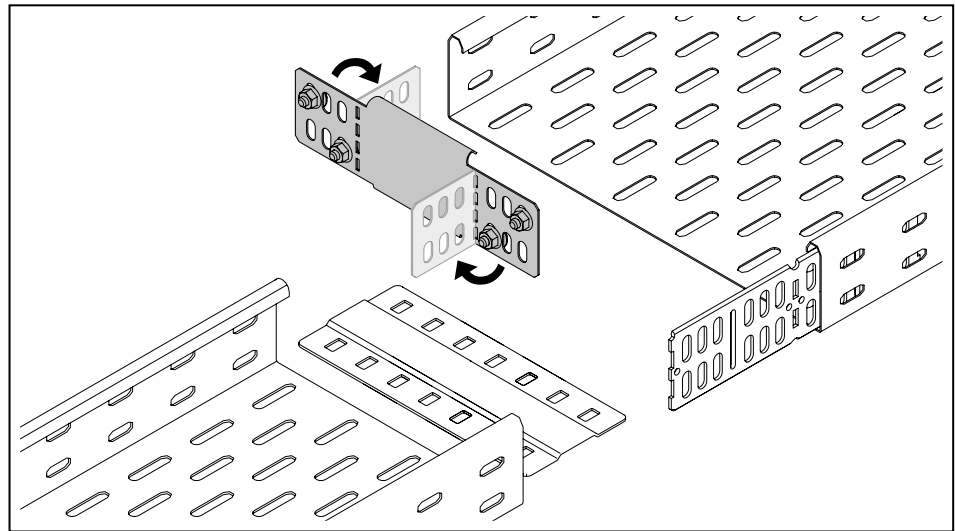


Fig. 65: Bending/adjusting a reducer profile

2. Bend the straps on the reducer profile through 90°.

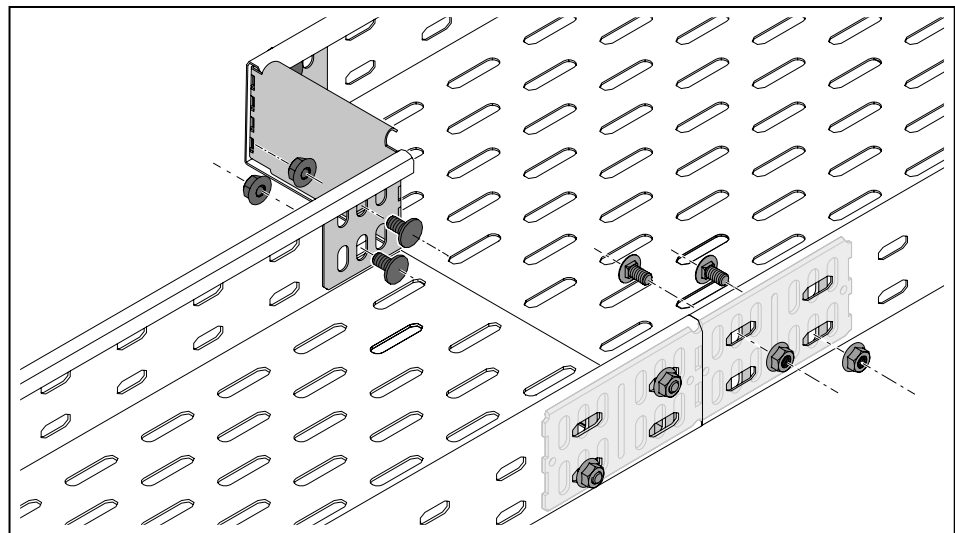


Fig. 66: Mounting straight and angle connector and reducer profile

3. Screw on the RWVL straight and angle connector to the inner side of the rail.
4. Screw the reducer profile to the inner sides of the rail.

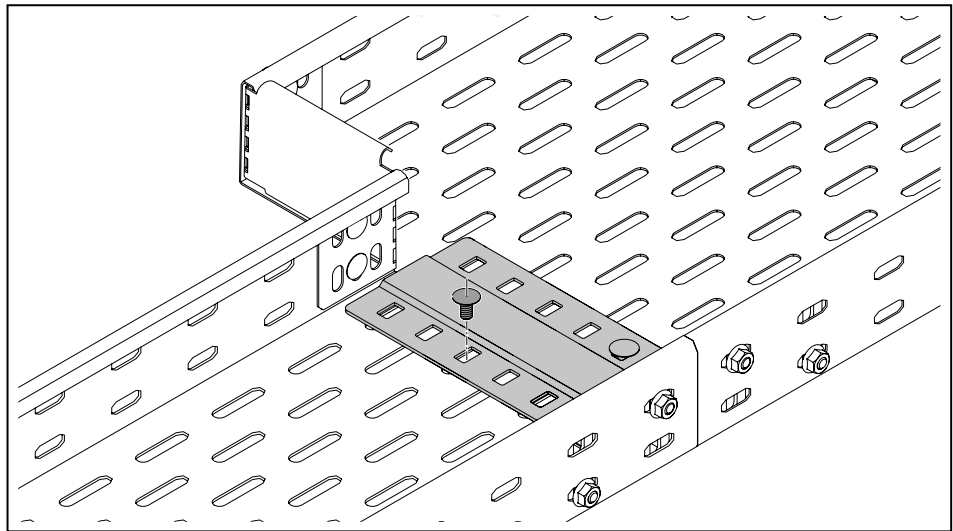


Fig. 67: Screwing on the joint plate and RWVL straight and angle connector

5. Screw on the joint plate.

Mounting an end closure

1. With unperforated, cut cable trays, pre-drill mounting perforations.

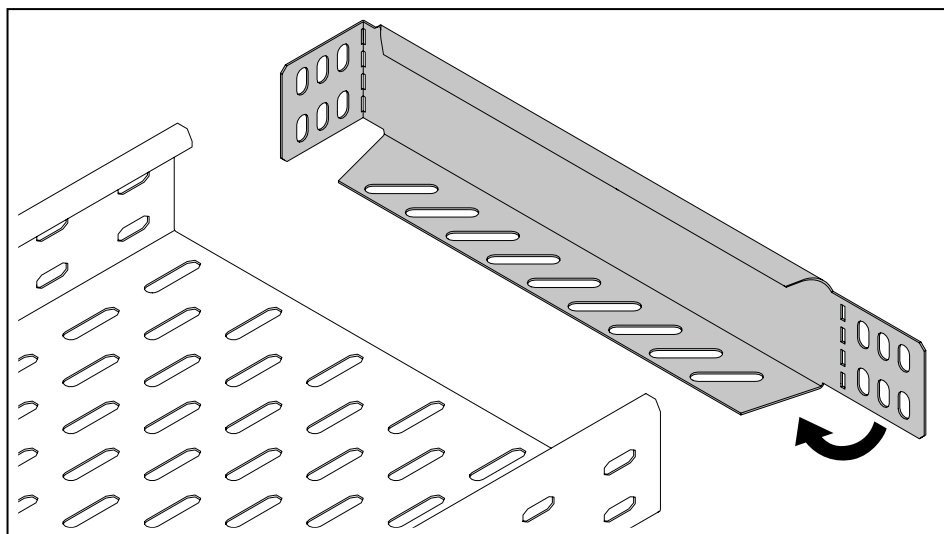


Fig. 68: Bending straps

2. Bend the straps on the end closure inwards by 90°.

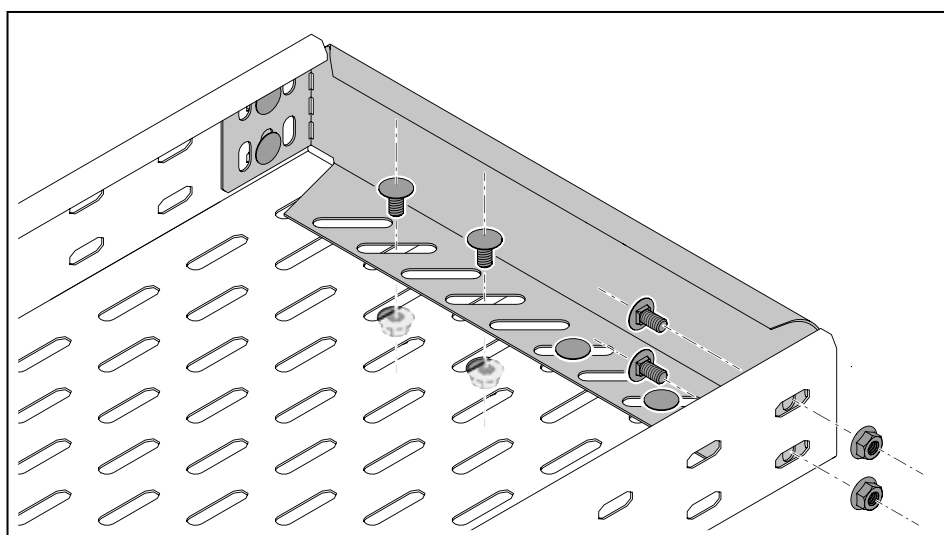


Fig. 69: Mounting an end closure

3. Push the end closure into the cable tray. In so doing, the straps touch the inner edge of the rail and the cable tray base.
4. Screw on the end closure.

5.6 Mounting barrier strips

Barrier strips are used to route and separate cables with different functions or voltages in a cable tray. Barrier strips are mounted in the cable tray with FRS M6 truss-head bolts and combination nuts.

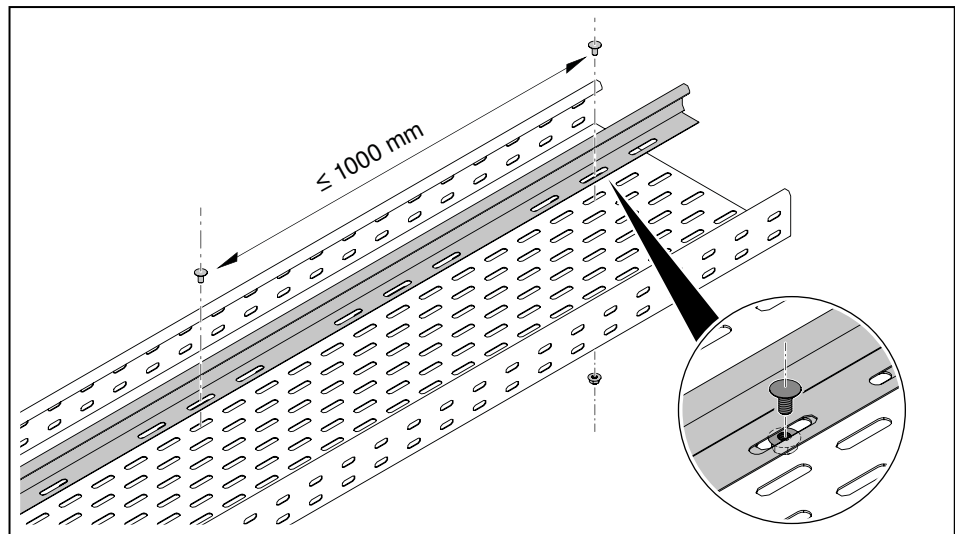


Fig. 70: Mounting barrier strips

1. With unperforated cable trays, pre-drill mounting perforations.
2. Screw on the barrier strip.

5.7 Creating equipotential bonding

Note! *We recommend including the screw-on cable tray system in the equipotential bonding.*

The equipotential bonding is created using an earthing clamp.

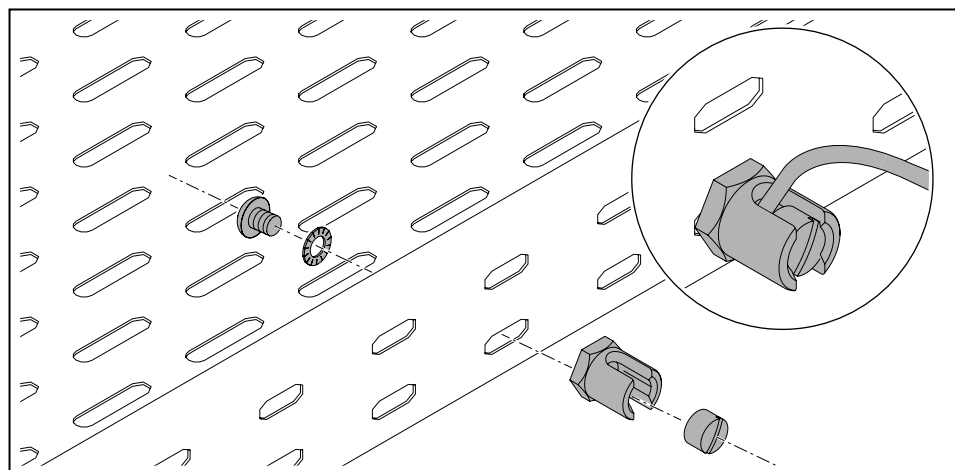


Fig. 71: Mounting the earthing terminal

1. Drill a hole in the cable tray rail, if it does not yet exist.
2. Screw the earthing terminal on the cable tray rail with an FRSB 6x12 screw.
3. Electrically connect the earthing terminal to the overall equipotential bonding.

5.8 Mounting the cover

Covers can be mounted as follows:

- With cover clamps
- With turn buckles mounted at a later date
- With pre-mounted turn buckles

5.8.1 Mounting the cover with cover clamp

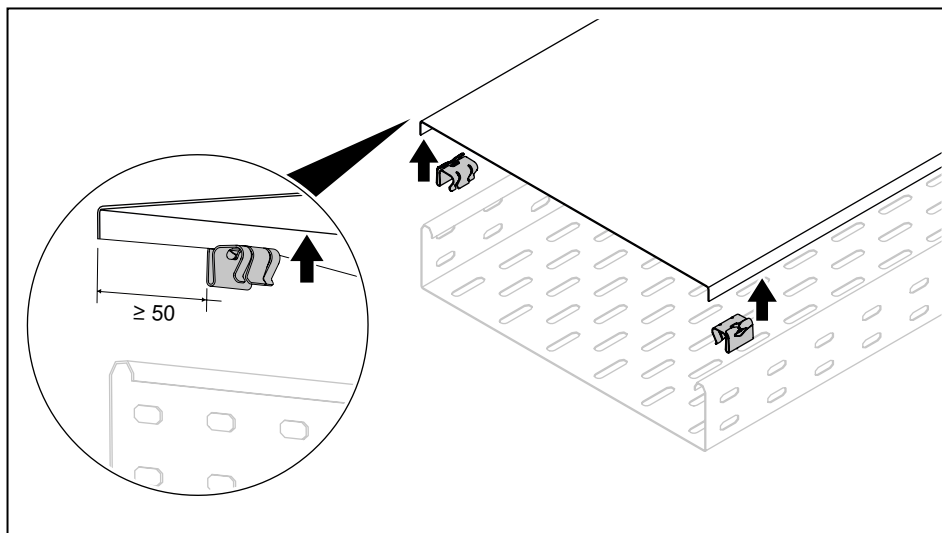


Fig. 72: Clamping the cover clamp to the cover

1. Clamp the cover clamp to the edge of the cover. Distance from the front edge at least 50 mm.

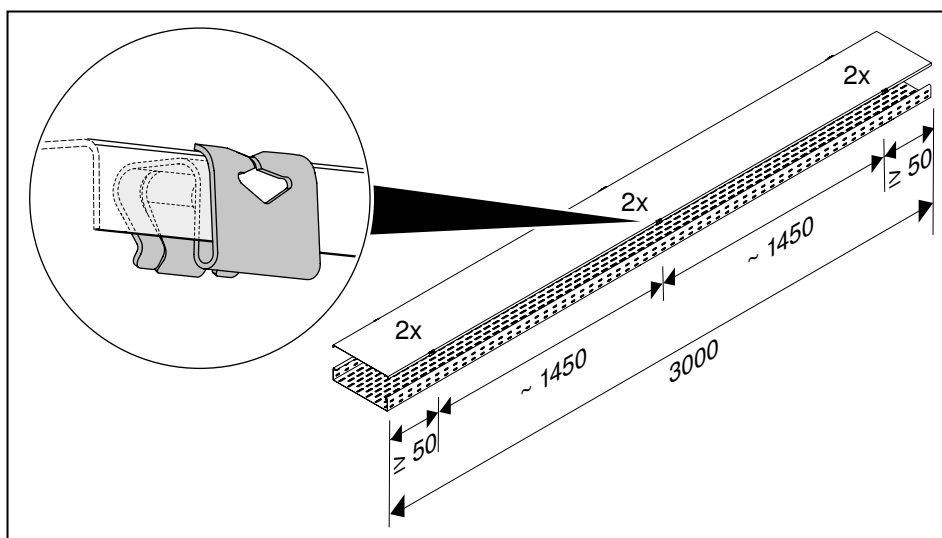


Fig. 73: Distribution of the necessary number of cover clamps

2. Mount at least 3 x 2 cover clamps for each 3,000 mm cover length. Distance between the clamps approx. 1,450 mm.

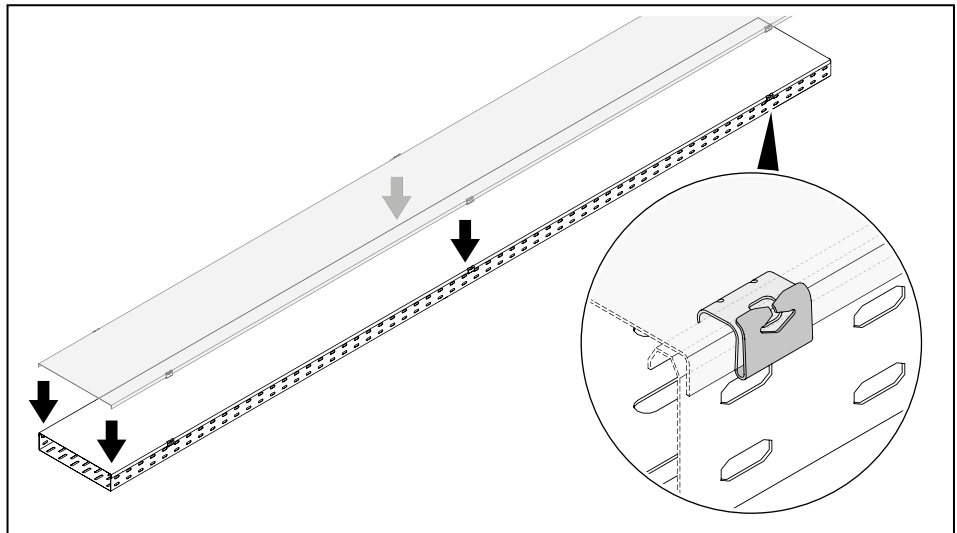


Fig. 74: Snap on the cover.

3. Snap the cover onto cable tray rails using cover clamps.

5.8.2 Mounting the cover with turn buckle

Turn buckles are either pre-mounted at the factory or can be mounted at a later date in the case of unperforated covers. Depending on the type, the turn buckle is screwed or riveted to the cover. In both cases, the holes must be pre-drilled in the cover. The cover is mounted on the cable tray using pre-mounted turn buckles in the same manner as with those installed at a later date.

Mounting the turn buckle

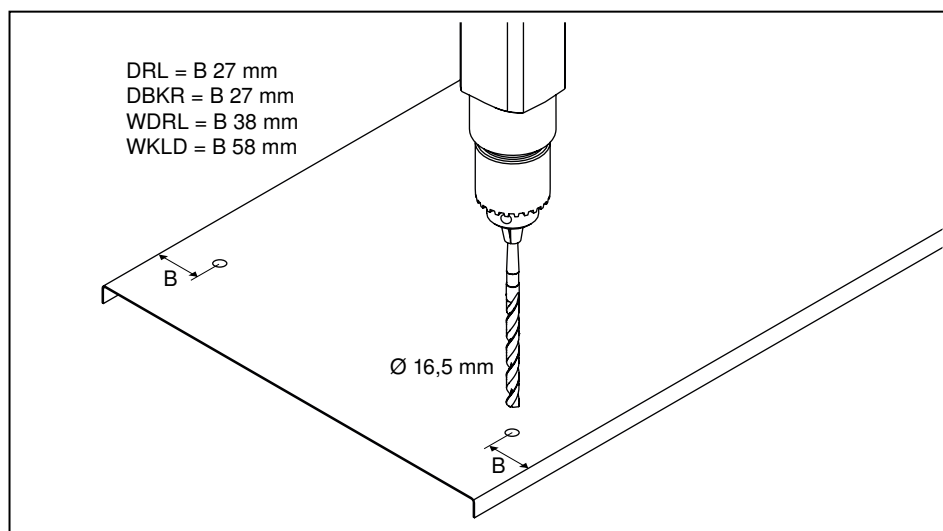


Fig. 75: Pre-drill the cover

1. Pre-drill the cover. Distance B from the edge dependent on cover type.
2. Insert the turn buckle button through the hole in the top of the cover.

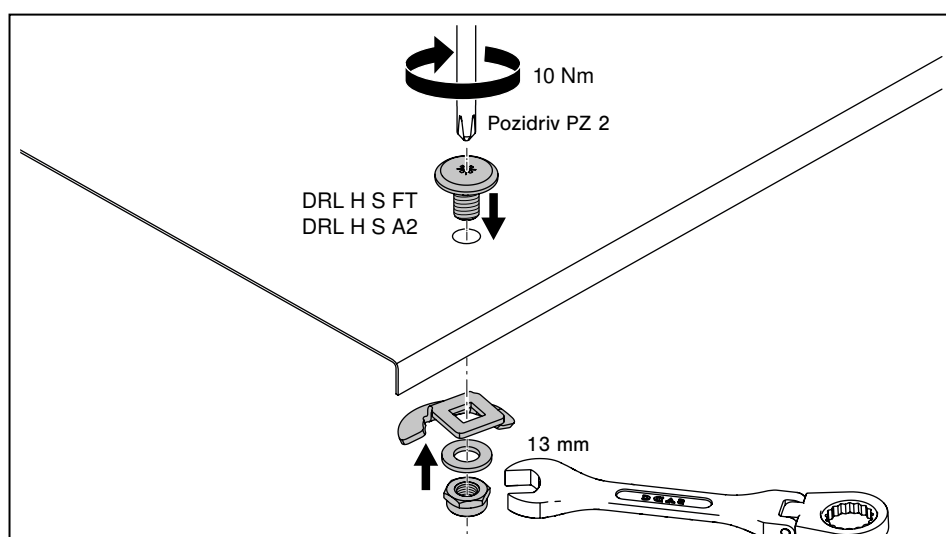


Fig. 76: Screwing on the turn buckle

3. Screw the turn buckle and hexagonal nut on the underside of the cover with the washer and turn buckle button.

Or:

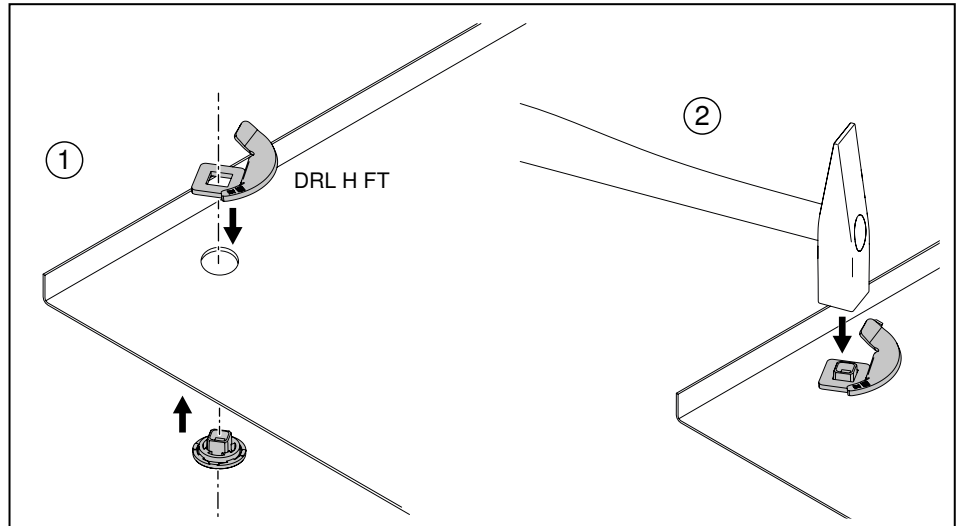


Fig. 77: Riveting the turn buckle

4. Rivet the turn buckle on the underside of the cover with the turn buckle button.

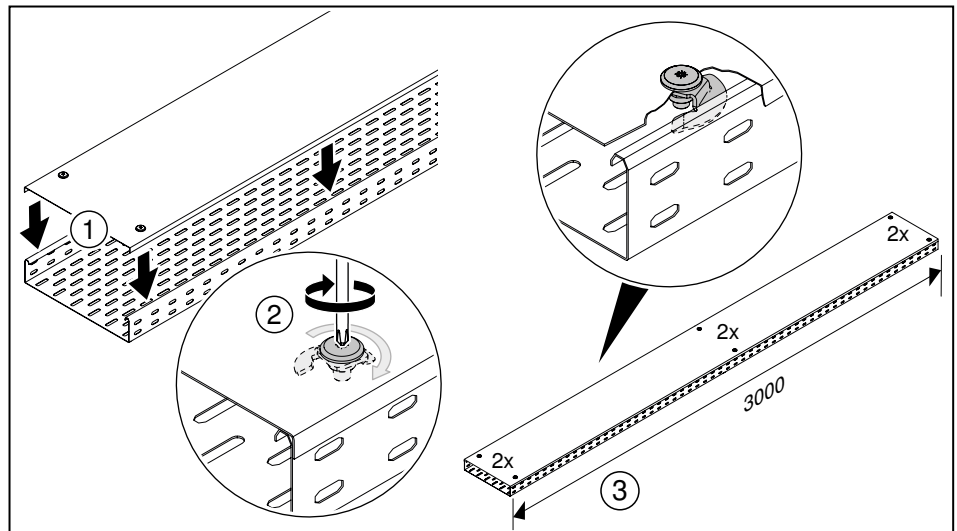


Fig. 78: Mounting the cover with Helix turn buckle

5. Mount at least 3 x 2 turn buckles for each 3,000 mm of cover length.
6. Position the cover on the cable tray.
7. Lock the turn buckle button on the cable tray using a screwdriver.

5.8.3 Mounting a fitting cover

The fittings are supplied with pre-mounted turn buckles. The mounting is the same as the mounting of the cable tray cover, see “5.8.2 Mounting the cover with turn buckle” on page 59.

6 Maintaining the system

The stability and function of the screw-on cable tray systems can be impaired by external influences, such as damage or machine vibrations.

Loose connection elements must be retightened and damaged parts replaced. The connection to the overall equipotential bonding must be continually intact and thus checked regularly.

7 Dismantling the system

All the elements of the cable tray systems are dismantled in the reverse order to mounting.

A cover lifter (item no. 6049285) can be used to dismantle the covers mounted with cover clamps.

8 Disposing of the system

Comply with the local waste disposal regulations.

- Metal: As scrap metal
- Plastic parts: As plastic
- Packaging: As household waste/as metal (depending on packaging type)

9 Technical data

G = Electrogalvanised FT = Hot-dip galvanised CuCn37 = Brass
 F = Hot galvanised A2 = Stainless steel
 FS = Strip galvanised A4 = Stainless steel

Cable trays, length 3,000 mm

Designation	Type	Side height mm	Width mm	Surface	Item no.
MKS cable tray	MKS 310 FS	35	100	FS	6053548
MKS cable tray	MKS 315 FS	35	150	FS	6053572
MKS cable tray	MKS 320 FS	35	200	FS	6053599
MKS cable tray	MKS 330 FS	35	300	FS	6053637
MKS cable tray	MKS 310 FT	35	100	FT	6053106
MKS cable tray	MKS 315 FT	35	150	FT	6053165
MKS cable tray	MKS 320 FT	35	200	FT	6053203
MKS cable tray	MKS 330 FT	35	300	FT	6053300
MKS cable tray	MKS 610 FS	60	100	FS	6055109
MKS cable tray	MKS 615 FS	60	150	FS	6055141
MKS cable tray	MKS 620 FS	60	200	FS	6055206
MKS cable tray	MKS 630 FS	60	300	FS	6055303
MKS cable tray	MKS 640 FS	60	400	FS	6055400
MKS cable tray	MKS 650 FS	60	500	FS	6055508
MKS cable tray	MKS 660 FS	60	600	FS	6055524
MKS cable tray	MKS 610 FT	60	100	FT	6055532
MKS cable tray	MKS 615 FT	60	150	FT	6055559
MKS cable tray	MKS 620 FT	60	200	FT	6055575
MKS cable tray	MKS 630 FT	60	300	FT	6055613
MKS cable tray	MKS 640 FT	60	400	FT	6055664
MKS cable tray	MKS 650 FT	60	500	FT	6055699
MKS cable tray	MKS 660 FT	60	600	FT	6055710
MKS cable tray	MKS 610 A2	60	100	A2	6056016
MKS cable tray	MKS 620 A2	60	200	A2	6056024
MKS cable tray	MKS 630 A2	60	300	A2	6056040
MKS cable tray	MKS 640 A2	60	400	A2	6056059
MKS cable tray	MKS 650 A2	60	500	A2	6056075
MKS cable tray	MKS 660 A2	60	600	A2	6056083
MKS cable tray	MKS 810 FS	85	100	FS	6057101
MKS cable tray	MKS 820 FS	85	200	FS	6057209
MKS cable tray	MKS 830 FS	85	300	FS	6057306
MKS cable tray	MKS 840 FS	85	400	FS	6057403
MKS cable tray	MKS 850 FS	85	500	FS	6057500

Designation	Type	Side height mm	Width mm	Surface	Item no.
MKS cable tray	MKS 860 FS	85	600	FS	6057535
MKS cable tray	MKS 110 FS	110	100	FS	6060102
MKS cable tray	MKS 120 FS	110	200	FS	6060196
MKS cable tray	MKS 130 FS	110	300	FS	6060307
MKS cable tray	MKS 140 FS	110	400	FS	6060404
MKS cable tray	MKS 150 FS	110	500	FS	6060412
MKS cable tray	MKS 155 FS	110	550	FS	6060528
MKS cable tray	MKS 110 A2	110	100	A2	6060803
MKS cable tray	MKS 120 A2	110	200	A2	6060811
MKS cable tray	MKS 130 A2	110	300	A2	6060838
MKS cable tray	MKS 140 A2	110	400	A2	6060846
SKS cable tray	SKS 610 FS	60	100	FS	6056105
SKS cable tray	SKS 615 FS	60	150	FS	6056156
SKS cable tray	SKS 620 FS	60	200	FS	6056202
SKS cable tray	SKS 630 FS	60	300	FS	6056296
SKS cable tray	SKS 640 FS	60	400	FS	6056407
SKS cable tray	SKS 650 FS	60	500	FS	6056504
SKS cable tray	SKS 660 FS	60	600	FS	6056601
SKS cable tray	SKS 610 FT	60	100	FT	6056636
SKS cable tray	SKS 615 FT	60	150	FT	6056644
SKS cable tray	SKS 620 FT	60	200	FT	6056652
SKS cable tray	SKS 630 FT	60	300	FT	6056679
SKS cable tray	SKS 640 FT	60	400	FT	6056695
SKS cable tray	SKS 650 FT	60	500	FT	6056717
SKS cable tray	SKS 660 FT	60	600	FT	6056733
SKS cable tray	SKS 610 A2	60	100	A2	6056735
SKS cable tray	SKS 620 A2	60	200	A2	6056737
SKS cable tray	SKS 630 A2	60	300	A2	6056739
SKS cable tray	SKS 640 A2	60	400	A2	6056742
SKS cable tray	SKS 650 A2	60	500	A2	6056744
SKS cable tray	SKS 660 A2	60	600	A2	6056746
SKS cable tray	SKS 610 A4	60	100	A4	6056750
SKS cable tray	SKS 620 A4	60	200	A4	6056755
SKS cable tray	SKS 630 A4	60	300	A4	6056757
SKS cable tray	SKS 640 A4	60	400	A4	6056759
SKS cable tray	SKS 650 A4	60	500	A4	6056761
SKS cable tray	SKS 660 A4	60	600	A4	6056763
SKS cable tray	SKS 810 FS	85	100	FS	6058108
SKS cable tray	SKS 820 FS	85	200	FS	6058205

Technical data

Designation	Type	Side height mm	Width mm	Surface	Item no.
SKS cable tray	SKS 830 FS	85	300	FS	6058302
SKS cable tray	SKS 840 FS	85	400	FS	6058396
SKS cable tray	SKS 850 FS	85	500	FS	6058507
SKS cable tray	SKS 860 FS	85	600	FS	6058604
SKS cable tray	SKS 810 FT	85	100	FT	6058620
SKS cable tray	SKS 820 FT	85	200	FT	6058647
SKS cable tray	SKS 830 FT	85	300	FT	6058663
SKS cable tray	SKS 840 FT	85	400	FT	6058698
SKS cable tray	SKS 850 FT	85	500	FT	6058728
SKS cable tray	SKS 860 FT	85	600	FT	6058744
SKS cable tray	SKS 110 FS	110	100	FS	6061109
SKS cable tray	SKS 120 FS	110	200	FS	6061206
SKS cable tray	SKS 130 FS	110	300	FS	6061303
SKS cable tray	SKS 140 FS	110	400	FS	6061400
SKS cable tray	SKS 150 FS	110	500	FS	6061508
SKS cable tray	SKS 160 FS	110	600	FS	6061559
SKS cable tray	SKS 110 FT	110	100	FT	6061605
SKS cable tray	SKS 120 FT	110	200	FT	6061621
SKS cable tray	SKS 130 FT	110	300	FT	6061656
SKS cable tray	SKS 140 FT	110	400	FT	6061672
SKS cable tray	SKS 150 FT	110	500	FT	6061702
SKS cable tray	SKS 160 FT	110	600	FT	6061729
SKSU cable tray	SKSU 610 FS	60	100	FS	6063234
SKSU cable tray	SKSU 620 FS	60	200	FS	6063236
SKSU cable tray	SKSU 630 FS	60	300	FS	6063238
SKSU cable tray	SKSU 640 FS	60	400	FS	6063950
SKSU cable tray	SKSU 650 FS	60	500	FS	6063241
SKSU cable tray	SKSU 660 FS	60	600	FS	6063276
SKSU cable tray	SKSU 610 FT	60	100	FT	6064307
SKSU cable tray	SKSU 620 FT	60	200	FT	6064353
SKSU cable tray	SKSU 630 FT	60	300	FT	6064409
SKSU cable tray	SKSU 640 FT	60	400	FT	6064435
SKSU cable tray	SKSU 650 FT	60	500	FT	6064515
SKSU cable tray	SKSU 660 FT	60	600	FT	6064523
SKSU cable tray	SKSU 110 FS	110	100	FS	6063403
SKSU cable tray	SKSU 120 FS	110	200	FS	6063438
SKSU cable tray	SKSU 130 FS	110	300	FS	6063454
SKSU cable tray	SKSU 140 FS	110	400	FS	6063470
SKSU cable tray	SKSU 150 FS	110	500	FS	6063497

Designation	Type	Side height mm	Width mm	Surface	Item no.
SKSU cable tray	SKSU 155 FS	110	550	FS	6063500
SKSU cable tray	SKSU 110 FT	110	100	FT	6064795
SKSU cable tray	SKSU 120 FT	110	200	FT	6064833
SKSU cable tray	SKSU 130 FT	110	300	FT	6064884
SKSU cable tray	SKSU 140 FT	110	400	FT	6064922
SKSU cable tray	SKSU 150 FT	110	500	FT	6064965
SKSU cable tray	SKSU 155 FT	110	550	FT	6064973
EKS cable tray	EKS 610 FS	60	100	FS	6056148
EKS cable tray	EKS 620 FS	60	200	FS	6056229
EKS cable tray	EKS 630 FS	60	300	FS	6056326
EKS cable tray	EKS 640 FS	60	400	FS	6056423
EKS cable tray	EKS 650 FS	60	500	FS	6056520
EKS cable tray	EKS 660 FS	60	600	FS	6056628
EKS cable tray	EKS 610 FT	60	100	FT	6056776
EKS cable tray	EKS 620 FT	60	200	FT	6056792
EKS cable tray	EKS 630 FT	60	300	FT	6056806
EKS cable tray	EKS 640 FT	60	400	FT	6056970
EKS cable tray	EKS 650 FT	60	500	FT	6056989
EKS cable tray	EKS 660 FT	60	600	FT	6056997
DKS cable tray	DKS 610 FS	60	100	FS	6085016
DKS cable tray	DKS 620 FS	60	200	FS	6085032
DKS cable tray	DKS 630 FS	60	300	FS	6085059
DKS cable tray	DKS 640 FS	60	400	FS	6085202
DKS cable tray	DKS 650 FS	60	500	FS	6085229
DKS cable tray	DKS 660 FS	60	600	FS	6085245
DKS cable tray	DKS 610 FT	60	100	FT	6085326
DKS cable tray	DKS 620 FT	60	200	FT	6085342
DKS cable tray	DKS 630 FT	60	300	FT	6085369
DKS cable tray	DKS 640 FT	60	400	FT	6085512
DKS cable tray	DKS 650 FT	60	500	FT	6085539
DKS cable tray	DKS 660 FT	60	600	FT	6085555
IKS cable tray	IKS 610 FS	60	100	FS	6087116
IKS cable tray	IKS 620 FS	60	200	FS	6087132
IKS cable tray	IKS 630 FS	60	300	FS	6087140
IKS cable tray	IKS 640 FS	60	400	FS	6087159

Connector

Designation	Type	Side height mm	Surface	Item no.
Straight connector 35	RLVK 35 FS	35	FS	6067085
Straight connector 35	RLVK 35 FT	35	FT	6067301
Straight connector 60	RLVK 60 FS	60	FS	6067093
Straight connector 60	RLVK 60 FT	60	FT	6067603
Straight connector 60	RLVK 60 A2	60	A2	6067654
Straight connector 60	RLVK 60 A4	60	A4	6067675
Straight and angle connector 35	RWVL 35 FS	35	FS	6067107
Straight and angle connector 35	RWVL 35 FT	35	FT	6067328
Straight and angle connector 60	RWVL 60 FS	60	FS	6067115
Straight and angle connector 60	RWVL 60 FT	60	FT	6067611
Straight and angle connector 60	RWVL 60 A2	60	A2	6067662
Straight and angle connector 60	RWVL 60 A4	60	A4	6067664
Straight and angle connector 85	RLVL 85 FS	85	FS	6067123
Straight and angle connector 85	RLVL 85 FT	85	FT	6067816
Straight and angle connector 110	RLVL 110 FS	110	FS	6067131
Straight and angle connector 110	RLVL 110 FT	110	FT	6067913
Straight and angle connector 110	RLVL 110 A2	110	A2	6067948
Adjustable connector 35	RGV 35 FS	35	FS	7082002
Adjustable connector 35	RGV 35 FT	35	FT	7082126
Adjustable connector 60	RGV 60 FS	60	FS	7082010
Adjustable connector 60	RGV 60 FT	60	FT	7082223
Adjustable connector 60	RGV 60 A2	60	A2	7082258
Adjustable connector 60	RGV 60 A4	60	A4	7082265
Adjustable connector 85	RGV 85 FS	85	FS	7082029
Adjustable connector 85	RGV 85 FT	85	FT	7082320
Adjustable connector 110	RGV 110 FS	110	FS	7082037
Adjustable connector 110	RGV 110 FT	110	FT	7082436
Adjustable connector 110	RGV 110 A2	110	A2	7082479
Angle connector 35	WKV 35 FS	35	FS	6043038
Corner connector 35	REV 35 FS	35	FS	6067956
Corner connector 35	REV 35 DD	35	DD	6069304
Angle connector 60	WKV 60 FS	60	FS	6043062
Angle connector 60	WKV 60 FT	60	FT	6042910
Corner connector 60	REV 60 FS	60	FS	6067972
Corner connector 60	REV 60 DD	60	DD	6069410
Corner connector 60	REV 60 A2	60	A2	6068022
Corner connector 60	REV 60 A4	60	A4	6068054
Corner connector 85	REV 85 FS	85	FS	6067980

Designation	Type	Side height mm	Surface	Item no.
Corner connector 85	REV 85 DD	85	DD	6069320
Corner connector 110	REV 110 FS	110	FS	6067999
Corner connector 110	REV 110 DD	110	DD	6069339
Corner connector 110	REV 110 A2	110	A2	6068049

Fittings

Designation	Type	Side height mm	Width mm	Surface	Item no.
45° bend 35	RB 45 310 FS	35	100	FS	6043704
45° bend 35	RB 45 320 FS	35	200	FS	6043712
45° bend 35	RB 45 330 FS	35	300	FS	6043720
45° bend 35	RB 45 310 FT	35	100	FT	7065116
45° bend 35	RB 45 315 FT	35	150	FT	7065167
45° bend 35	RB 45 320 FT	35	200	FT	7065213
45° bend 35	RB 45 330 FT	35	300	FT	7065310
45° bend 60	RB 45 610 FS	60	100	FS	6043763
45° bend 60	RB 45 615 FS	60	150	FS	6043755
45° bend 60	RB 45 620 FS	60	200	FS	6043771
45° bend 60	RB 45 630 FS	60	300	FS	6043798
45° bend 60	RB 45 610 FT	60	100	FT	7066112
45° bend 60	RB 45 615 FT	60	150	FT	7066158
45° bend 60	RB 45 620 FT	60	200	FT	7066228
45° bend 60	RB 45 630 FT	60	300	FT	7066317
45° bend 60	RB 45 640 FS	60	400	FS	7000383
45° bend 60	RB 45 650 FS	60	500	FS	7000405
45° bend 60	RB 45 660 FS	60	600	FS	7000421
45° bend 60	RB 45 640 FT	60	400	FT	7066406
45° bend 60	RB 45 650 FT	60	500	FT	7066503
45° bend 60	RB 45 660 FT	60	600	FT	7066600
45° bend 60	RB 45 610 A2	60	100	A2	7133107
45° bend 60	RB 45 620 A2	60	200	A2	7133120
45° bend 60	RB 45 630 A2	60	300	A2	7133142
45° bend 60	RB 45 610 A4	60	100	A4	7133261
45° bend 60	RB 45 620 A4	60	200	A4	7133263
45° bend 60	RB 45 630 A4	60	300	A4	7133265
45° bend 60	RB 45 640 A2	60	400	A2	7133235
45° bend 60	RB 45 650 A2	60	500	A2	7133243
45° bend 60	RB 45 660 A2	60	600	A2	7133251
45° bend 60	RB 45 640 A4	60	400	A4	7133271
45° bend 60	RB 45 650 A4	60	500	A4	7133273
45° bend 60	RB 45 660 A4	60	600	A4	7133275

Technical data

Designation	Type	Side height mm	Width mm	Surface	Item no.
45° bend 85	RB 45 810 FS	85	100	FS	7000472
45° bend 85	RB 45 820 FS	85	200	FS	7000499
45° bend 85	RB 45 830 FS	85	300	FS	7000510
45° bend 85	RB 45 810 FT	85	100	FT	7067119
45° bend 85	RB 45 820 FT	85	200	FT	7067216
45° bend 85	RB 45 830 FT	85	300	FT	7067313
45° bend 85	RB 45 840 FS	85	400	FS	7000529
45° bend 85	RB 45 850 FS	85	500	FS	7000545
45° bend 85	RB 45 860 FS	85	600	FS	7000561
45° bend 85	RB 45 840 FT	85	400	FT	7067402
45° bend 85	RB 45 850 FT	85	500	FT	7067496
45° bend 85	RB 45 860 FT	85	600	FT	7067607
45° bend 110	RB 45 110 FS	110	100	FS	7000634
45° bend 110	RB 45 120 FS	110	200	FS	7000650
45° bend 110	RB 45 130 FS	110	300	FS	7000677
45° bend 110	RB 45 110 FT	110	100	FT	7068115
45° bend 110	RB 45 120 FT	110	200	FT	7068212
45° bend 110	RB 45 130 FT	110	300	FT	7068328
45° bend 110	RB 45 140 FS	110	400	FS	7000685
45° bend 110	RB 45 150 FS	110	500	FS	7000707
45° bend 110	RB 45 155 FS	110	550	FS	7000715
45° bend 110	RB 45 140 FT	110	400	FT	7068409
45° bend 110	RB 45 150 FT	110	500	FT	7068506
45° bend 110	RB 45 155 FT	110	550	FT	7068557
90° bend 35	RB 90 310 FS	35	100	FS	6043119
90° bend 35	RB 90 315 FS	35	150	FS	6043123
90° bend 35	RB 90 320 FS	35	200	FS	6043127
90° bend 35	RB 90 330 FS	35	300	FS	6343135
90° bend 35	RB 90 310 FT	35	100	FT	7124120
90° bend 35	RB 90 320 FT	35	200	FT	7124236
90° bend 35	RB 90 330 FT	35	300	FT	7124325
90° bend 60	RB 90 610 FS	60	100	FS	6043216
90° bend 60	RB 90 615 FS	60	150	FS	6043208
90° bend 60	RB 90 620 FS	60	200	FS	6043224
90° bend 60	RB 90 630 FS	60	300	FS	6043232
90° bend 60	RB 90 610 FT	60	100	FT	7125100
90° bend 60	RB 90 615 FT	60	150	FT	7125189
90° bend 60	RB 90 620 FT	60	200	FT	7125220
90° bend 60	RB 90 630 FT	60	300	FT	7125305

Designation	Type	Side height mm	Width mm	Surface	Item no.
90° bend 60	RB 90 610 A2	60	100	A2	7134122
90° bend 60	RB 90 620 A2	60	200	A2	7134130
90° bend 60	RB 90 630 A2	60	300	A2	7134138
90° bend 60	RB 90 610 A4	60	100	A4	7134286
90° bend 60	RB 90 620 A4	60	200	A4	7134288
90° bend 60	RB 90 630 A4	60	300	A4	7134290
90° bend 60	RB 90 640 FS	60	400	FS	7001290
90° bend 60	RB 90 650 FS	60	500	FS	7001304
90° bend 60	RB 90 660 FS	60	600	FS	7001312
90° bend 60	RB 90 640 FT	60	400	FT	7125410
90° bend 60	RB 90 650 FT	60	500	FT	7125526
90° bend 60	RB 90 660 FT	60	600	FT	7125585
90° bend 60	RBU 90 640 A2	60	400	A2	7134231
90° bend 60	RBU 90 650 A2	60	500	A2	7134258
90° bend 60	RBU 90 660 A2	60	600	A2	7134266
90° bend 60	RBU 90 640 A4	60	400	A4	7134292
90° bend 60	RBU 90 650 A4	60	500	A4	7134294
90° bend 60	RBU 90 660 A4	60	600	A4	7134296
90° bend 85	RB 90 810 FS	85	100	FS	7001762
90° bend 85	RB 90 820 FS	85	200	FS	7001789
90° bend 85	RB 90 830 FS	85	300	FS	7001800
90° bend 85	RB 90 810 FT	85	100	FT	7126127
90° bend 85	RB 90 820 FT	85	200	FT	7126216
90° bend 85	RB 90 830 FT	85	300	FT	7126301
90° bend 85	RB 90 840 FS	85	400	FS	7001819
90° bend 85	RB 90 850 FS	85	500	FS	7001835
90° bend 85	RB 90 860 FS	85	600	FS	7001851
90° bend 85	RB 90 840 FT	85	400	FT	7126417
90° bend 85	RB 90 850 FT	85	500	FT	7126514
90° bend 85	RB 90 860 FT	85	600	FT	7126611
90° bend 110	RB 90 110 FS	110	100	FS	7001894
90° bend 110	RB 90 120 FS	110	200	FS	7001916
90° bend 110	RB 90 130 FS	110	300	FS	7001932
90° bend 110	RB 90 110 FT	110	100	FT	7127103
90° bend 110	RB 90 120 FT	110	200	FT	7217227
90° bend 110	RB 90 130 FT	110	300	FT	7217320
90° bend 110	RB 90 140 FS	110	400	FS	7001940
90° bend 110	RB 90 150 FS	110	500	FS	7001967
90° bend 110	RB 90 155 FS	110	550	FS	7001975

Technical data

Designation	Type	Side height mm	Width mm	Surface	Item no.
90° bend 110	RB 90 140 FT	110	400	FT	7127413
90° bend 110	RB 90 150 FT	110	500	FT	7127499
90° bend 110	RB 90 155 FT	110	550	FT	7127545
90° bend 110	RB 90 160 FT	110	600	FT	7127627
Add-on tee 35	RAA 310 FS	35	100	FS	6040322
Add-on tee 35	RAA 320 FS	35	200	FS	6040349
Add-on tee 35	RAA 330 FS	35	300	FS	6040357
Add-on tee 35	RAA 310 FT	35	100	FT	7120117
Add-on tee 35	RAA 315 FT	35	150	FT	7120140
Add-on tee 35	RAA 320 FT	35	200	FT	7120214
Add-on tee 35	RAA 330 FT	35	300	FT	7120311
Add-on tee 60	RAA 610 FS	60	100	FS	6040403
Add-on tee 60	RAA 615 FS	60	150	FS	6040411
Add-on tee 60	RAA 620 FS	60	200	FS	6040438
Add-on tee 60	RAA 630 FS	60	300	FS	6060446
Add-on tee 60	RAA 610 FT	60	100	FT	7121109
Add-on tee 60	RAA 620 FT	60	200	FT	7121205
Add-on tee 60	RAA 630 FT	60	300	FT	7121318
Add-on tee 60	RAA 610 A2	60	100	A2	7136120
Add-on tee 60	RAA 620 A2	60	200	A2	7136133
Add-on tee 60	RAA 630 A2	60	300	A2	7136141
Add-on tee 60	RAA 610 A4	60	100	A4	7136122
Add-on tee 60	RAA 620 A4	60	200	A4	7136135
Add-on tee 60	RAA 630 A4	60	300	A4	7136143
Add-on tee 60	RAA 640 FS	60	400	FS	7002394
Add-on tee 60	RAA 650 FS	60	500	FS	7002416
Add-on tee 60	RAA 660 FS	60	600	FS	7002432
Add-on tee 60	RAA 640 FT	60	400	FT	7121407
Add-on tee 60	RAA 650 FT	60	500	FT	7121504
Add-on tee 60	RAA 660 FT	60	600	FT	7121601
Add-on tee 60	RAA 640 A2	60	400	A2	7136242
Add-on tee 60	RAA 650 A2	60	500	A2	7136250
Add-on tee 60	RAA 660 A2	60	600	A2	7136269
Add-on tee 60	RAA 640 A4	60	400	A4	7136244
Add-on tee 60	RAA 650 A4	60	500	A4	7136252
Add-on tee 60	RAA 660 A4	60	600	A4	7136271
Add-on tee 85	RAA 810 FS	85	100	FS	7002475
Add-on tee 85	RAA 820 FS	85	200	FS	7002491
Add-on tee 85	RAA 830 FS	85	300	FS	7002513

Designation	Type	Side height mm	Width mm	Surface	Item no.
Add-on tee 85	RAA 810 FT	85	100	FT	7122109
Add-on tee 85	RAA 820 FT	85	200	FT	7122213
Add-on tee 85	RAA 830 FT	85	300	FT	7122310
Add-on tee 85	RAA 840 FS	85	400	FS	7002521
Add-on tee 85	RAA 850 FS	85	500	FS	7002556
Add-on tee 85	RAA 860 FS	85	600	FS	7002572
Add-on tee 85	RAA 840 FT	85	400	FT	7122403
Add-on tee 85	RAA 850 FT	85	500	FT	7122500
Add-on tee 85	RAA 860 FT	85	600	FT	7122608
Add-on tee 110	RAA 110 FS	110	100	FS	7002637
Add-on tee 110	RAA 120 FS	110	200	FS	7002653
Add-on tee 110	RAA 130 FS	110	300	FS	7002688
Add-on tee 110	RAA 110 FT	110	100	FT	7123116
Add-on tee 110	RAA 120 FT	110	200	FT	7123213
Add-on tee 110	RAA 130 FT	110	300	FT	7123310
Add-on tee 110	RAA 140 FS	110	400	FS	7002696
Add-on tee 110	RAA 150 FS	110	500	FS	7002726
Add-on tee 110	RAA 155 FS	110	550	FS	7002734
Add-on tee 110	RAA 140 FT	110	400	FT	7123396
Add-on tee 110	RAA 150 FT	110	500	FT	7123507
Add-on tee 110	RAA 155 FT	110	550	FT	7123558
T branch piece 60	RT 610 FS	110	100	FS	6043410
T branch piece 60	RT 615 FS	110	150	FS	6043402
T branch piece 60	RT 620 FS	110	200	FS	6043429
T branch piece 60	RT 630 FS	110	300	FS	6043437
T branch piece 60	RT 640 FS	110	400	FS	7003390
T branch piece 60	RT 650 FS	110	500	FS	7003412
T branch piece 60	RT 660 FS	110	600	FS	7003439
T branch piece 60	RT 610 FT	60	100	FT	7117116
T branch piece 60	RT 615 FT	60	150	FT	7117162
T branch piece 60	RT 620 FT	60	200	FT	7117209
T branch piece 60	RT 630 FT	60	300	FT	7117306
T branch piece 60	RT 640 FT	60	400	FT	7117396
T branch piece 60	RT 650 FT	60	500	FT	7117507
T branch piece 60	RT 660 FT	60	600	FT	7117604
T branch piece 110	RT 110 FS	110	100	FS	7003633
T branch piece 110	RT 120 FS	110	200	FS	7003668
T branch piece 110	RT 130 FS	110	300	FS	7003684
T branch piece 110	RT 110 FT	110	100	FT	7119119

Technical data

Designation	Type	Side height mm	Width mm	Surface	Item no.
T branch piece 110	RT 120 FT	110	200	FT	7119216
T branch piece 110	RT 130 FT	110	300	FT	7119313
T branch piece 110	RT 140 FS	110	400	FS	7003692
T branch piece 110	RT 150 FS	110	500	FS	7003714
T branch piece 110	RT 140 FT	110	400	FT	7119402
T branch piece 110	RT 150 FT	110	500	FT	7119496
T branch piece 110	RT 155 FT	110	550	FT	7119550
Cross-over 60	RK 610 FS	60	100	FS	6043615
Cross-over 60	RK 615 FS	60	150	FS	6043607
Cross-over 60	RK 620 FS	60	200	FS	6043623
Cross-over 60	RK 630 FS	60	300	FS	6043631
Cross-over 60	RK 640 FS	60	400	FS	7004397
Cross-over 60	RK 650 FS	60	500	FS	7004419
Cross-over 60	RK 660 FS	60	600	FS	7004435
Cross-over 60	RK 610 FT	60	100	FT	7113110
Cross-over 60	RK 620 FT	60	200	FT	7113218
Cross-over 60	RK 630 FT	60	300	FT	7113315
Cross-over 60	RK 640 FT	60	400	FT	7113404
Cross-over 60	RK 645 FT	60	450	FT	7113463
Cross-over 60	RK 650 FT	60	500	FT	7113501
Cross-over 60	RK 660 FT	60	600	FT	7113609
Cross-over 60	RK 675 FT	60	750	FT	7113611
Cross-over 60	RK 690 FT	60	900	FT	7113613
Cross-over 110	RK 110 FS	110	100	FS	7004648
Cross-over 110	RK 120 FS	110	200	FS	7004664
Cross-over 110	RK 130 FS	110	300	FS	7004680
Cross-over 110	RK 140 FS	110	400	FS	7004699
Cross-over 110	RK 150 FS	110	500	FS	7004710
Cross-over 110	RK 110 FT	110	100	FT	7115113
Cross-over 110	RK 120 FT	110	200	FT	7115210
Cross-over 110	RK 130 FT	110	300	FT	7115318
Cross-over 110	RK 140 FT	110	400	FT	7115407
Cross-over 110	RK 150 FT	110	500	FT	7115504
Cross-over 110	RK 160 FT	110	600	FT	7115564
90° vertical bend, rising, 60	RBV 610 S FS	60	100	FS	7007005
90° vertical bend, rising, 60	RBV 615 S FS	60	150	FS	7007009
90° vertical bend, rising, 60	RBV 620 S FS	60	200	FS	7007013
90° vertical bend, rising, 60	RBV 630 S FS	60	300	FS	7007017
90° vertical bend, rising, 60	RBV 640 S FS	60	400	FS	7007021

Designation	Type	Side height mm	Width mm	Surface	Item no.
90° vertical bend, rising, 60	RBV 650 S FS	60	500	FS	7007025
90° vertical bend, rising, 60	RBV 660 S FS	60	600	FS	7007029
90° vertical bend, rising, 60	RBV 610 S FT	60	100	FT	7007006
90° vertical bend, rising, 60	RBV 615 S FT	60	150	FT	7007010
90° vertical bend, rising, 60	RBV 620 S FT	60	200	FT	7007014
90° vertical bend, rising, 60	RBV 630 S FT	60	300	FT	7007018
90° vertical bend, rising, 60	RBV 640 S FT	60	400	FT	7007022
90° vertical bend, rising, 60	RBV 650 S FT	60	500	FT	7007026
90° vertical bend, rising, 60	RBV 660 S FT	60	600	FT	7007030
90° vertical bend, rising, 60	RBV 610 S A4	60	100	A4	7006720
90° vertical bend, rising, 60	RBV 620 S A4	60	200	A4	7006724
90° vertical bend, rising, 60	RBV 630 S A4	60	300	A4	7006728
90° vertical bend, rising, 60	RBV 640 S A4	60	400	A4	7006732
90° vertical bend, rising, 60	RBV 650 S A4	60	500	A4	7006736
90° vertical bend, rising, 60	RBV 660 S A4	60	600	A4	7006740
90° vertical bend, falling, 60	RBV 610 F FS	60	100	FS	7007055
90° vertical bend, falling, 60	RBV 615 F FS	60	150	FS	7007059
90° vertical bend, falling, 60	RBV 620 F FS	60	200	FS	7007063
90° vertical bend, falling, 60	RBV 630 F FS	60	300	FS	7007067
90° vertical bend, falling, 60	RBV 640 F FS	60	400	FS	7007071
90° vertical bend, falling, 60	RBV 650 F FS	60	500	FS	7007075
90° vertical bend, falling, 60	RBV 660 F FS	60	600	FS	7007079
90° vertical bend, falling, 60	RBV 610 F FT	60	100	FT	7007056
90° vertical bend, falling, 60	RBV 615 F FT	60	150	FT	7007060
90° vertical bend, falling, 60	RBV 620 F FT	60	200	FT	7007064
90° vertical bend, falling, 60	RBV 630 F FT	60	300	FT	7007068
90° vertical bend, falling, 60	RBV 640 F FT	60	400	FT	7007072
90° vertical bend, falling, 60	RBV 650 F FT	60	500	FT	7007076
90° vertical bend, falling, 60	RBV 660 F FT	60	600	FT	7007080
90° vertical bend, falling, 60	RBV 610 F A4	60	100	A4	7006750
90° vertical bend, falling, 60	RBV 620 F A4	60	200	A4	7006754
90° vertical bend, falling, 60	RBV 630 F A4	60	300	A4	7006758
90° vertical bend, falling, 60	RBV 640 F A4	60	400	A4	7006762
90° vertical bend, falling, 60	RBV 650 F A4	60	500	A4	7006766
90° vertical bend, falling, 60	RBV 660 F A4	60	600	A4	7006770
90° vertical bend, rising, 85	RBV 810 S FS	85	100	FS	7007230
90° vertical bend, rising, 85	RBV 820 S FS	85	200	FS	7007234
90° vertical bend, rising, 85	RBV 830 S FS	85	300	FS	7007238
90° vertical bend, rising, 85	RBV 840 S FS	85	400	FS	7007242

Technical data

Designation	Type	Side height mm	Width mm	Surface	Item no.
90° vertical bend, rising, 85	RBV 850 S FS	85	500	FS	7007246
90° vertical bend, rising, 85	RBV 860 S FS	85	600	FS	7007250
90° vertical bend, rising, 85	RBV 810 S FT	85	100	FT	7007231
90° vertical bend, rising, 85	RBV 820 S FT	85	200	FT	7007235
90° vertical bend, rising, 85	RBV 830 S FT	85	300	FT	7007239
90° vertical bend, rising, 85	RBV 840 S FT	85	400	FT	7007243
90° vertical bend, rising, 85	RBV 850 S FT	85	500	FT	7007247
90° vertical bend, rising, 85	RBV 860 S FT	85	600	FT	7007251
90° vertical bend, falling, 85	RBV 810 F FS	85	100	FS	7007270
90° vertical bend, falling, 85	RBV 820 F FS	85	200	FS	7007274
90° vertical bend, falling, 85	RBV 830 F FS	85	300	FS	7007278
90° vertical bend, falling, 85	RBV 840 F FS	85	400	FS	7007282
90° vertical bend, falling, 85	RBV 850 F FS	85	500	FS	7007286
90° vertical bend, falling, 85	RBV 860 F FS	85	600	FS	7007290
90° vertical bend, falling, 85	RBV 810 F FT	85	100	FT	7007271
90° vertical bend, falling, 85	RBV 820 F FT	85	200	FT	7007275
90° vertical bend, falling, 85	RBV 830 F FT	85	300	FT	7007279
90° vertical bend, falling, 85	RBV 840 F FT	85	400	FT	7007283
90° vertical bend, falling, 85	RBV 850 F FT	85	500	FT	7007287
90° vertical bend, falling, 85	RBV 860 F FT	85	600	FT	7007291
90° vertical bend, rising, 110	RBV 110 S FS	110	100	FS	7007310
90° vertical bend, rising, 110	RBV 120 S FS	110	200	FS	7007314
90° vertical bend, rising, 110	RBV 130 S FS	110	300	FS	7007318
90° vertical bend, rising, 110	RBV 140 S FS	110	400	FS	7007322
90° vertical bend, rising, 110	RBV 150 S FS	110	500	FS	7007326
90° vertical bend, rising, 110	RBV 160 S FS	110	600	FS	7007333
90° vertical bend, rising, 110	RBV 110 S FT	110	100	FT	7007398
90° vertical bend, rising, 110	RBV 120 S FT	110	200	FT	7007400
90° vertical bend, rising, 110	RBV 130 S FT	110	300	FT	7007319
90° vertical bend, rising, 110	RBV 140 S FT	110	400	FT	7007404
90° vertical bend, rising, 110	RBV 150 S FT	110	500	FT	7007327
90° vertical bend, rising, 110	RBV 160 S FT	110	600	FT	7007334
90° vertical bend, falling, 110	RBV 120 F FS	110	200	FS	7007354
90° vertical bend, falling, 110	RBV 130 F FS	110	300	FS	7007358
90° vertical bend, falling, 110	RBV 140 F FS	110	400	FS	7007362
90° vertical bend, falling, 110	RBV 150 F FS	110	500	FS	7007366
90° vertical bend, falling, 110	RBV 160 F FS	110	600	FS	7007373
90° vertical bend, falling, 110	RBV 110 F FT	110	100	FT	7007468
90° vertical bend, falling, 110	RBV 115 F FT	110	150	FT	7007353

Designation	Type	Side height mm	Width mm	Surface	Item no.
90° vertical bend, falling, 110	RBV 120 F FT	110	200	FT	7007470
90° vertical bend, falling, 110	RBV 130 F FT	110	300	FT	7007359
90° vertical bend, falling, 110	RBV 140 F FT	110	400	FT	7007474
90° vertical bend, falling, 110	RBV 150 F FT	110	500	FT	7007367
90° vertical bend, falling, 110	RBV 160 F FT	110	600	FT	7007374
Adjustable bend element, vertical, 60	RGBEV 610 FS	60	100	FS	7005326
Adjustable bend element, vertical, 60	RGBEV 615 FS	60	150	FS	7005334
Adjustable bend element, vertical, 60	RGBEV 620 FS	60	200	FS	7005342
Adjustable bend element, vertical, 60	RGBEV 630 FS	60	300	FS	7005369
Adjustable bend element, vertical, 60	RGBEV 640 FS	60	400	FS	7005385
Adjustable bend element, vertical, 60	RGBEV 650 FS	60	500	FS	7005407
Adjustable bend element, vertical, 60	RGBEV 660 FS	60	600	FS	7005423
Adjustable bend element, vertical, 60	RGBEV 610 FT	60	100	FT	7075103
Adjustable bend element, vertical, 60	RGBEV 615 FT	60	150	FT	7075154
Adjustable bend element, vertical, 60	RGBEV 620 FT	60	200	FT	7075200
Adjustable bend element, vertical, 60	RGBEV 630 FT	60	300	FT	7075308
Adjustable bend element, vertical, 60	RGBEV 640 FT	60	400	FT	7075405
Adjustable bend element, vertical, 60	RGBEV 650 FT	60	500	FT	7075502
Adjustable bend element, vertical, 60	RGBEV 660 FT	60	600	FT	7075596
Adjustable bend element, vertical, 85	RGBEV 810 FS	85	100	FS	7005466
Adjustable bend element, vertical, 85	RGBEV 820 FS	85	200	FS	7005482
Adjustable bend element, vertical, 85	RGBEV 830 FS	85	300	FS	7005504
Adjustable bend element, vertical, 85	RGBEV 840 FS	85	400	FS	7005520
Adjustable bend element, vertical, 85	RGBEV 850 FS	85	500	FS	7005547
Adjustable bend element, vertical, 85	RGBEV 860 FS	85	600	FS	7005563
Adjustable bend element, vertical, 85	RGBEV 810 FT	85	100	FT	7076096
Adjustable bend element, vertical, 85	RGBEV 820 FT	85	200	FT	7076207
Adjustable bend element, vertical, 85	RGBEV 830 FT	85	300	FT	7076304
Adjustable bend element, vertical, 85	RGBEV 840 FT	85	400	FT	7076401
Adjustable bend element, vertical, 85	RGBEV 850 FT	85	500	FT	7076509
Adjustable bend element, vertical, 85	RGBEV 860 FT	85	600	FT	7076606

Technical data

Designation	Type	Side height mm	Width mm	Surface	Item no.
Adjustable bend element, vertical, 110	RGBEV 110 FS	110	100	FS	7005628
Adjustable bend element, vertical, 110	RGBEV 115 FS	110	150	FS	7005636
Adjustable bend element, vertical, 110	RGBEV 120 FS	110	200	FS	7005644
Adjustable bend element, vertical, 110	RGBEV 130 FS	110	300	FS	7005660
Adjustable bend element, vertical, 110	RGBEV 140 FS	110	400	FS	7005687
Adjustable bend element, vertical, 110	RGBEV 150 FS	110	500	FS	7005709
Adjustable bend element, vertical, 110	RGBEV 155 FS	110	550	FS	7005717
Adjustable bend element, vertical, 110	RGBEV 160 FS	110	600	FS	7005723
Adjustable bend element, vertical, 110	RGBEV 110 FT	110	100	FT	7077106
Adjustable bend element, vertical, 110	RGBEV 120 FT	110	200	FT	7077203
Adjustable bend element, vertical, 110	RGBEV 130 FT	110	300	FT	7077300
Adjustable bend element, vertical, 110	RGBEV 140 FT	110	400	FT	7077408
Adjustable bend element, vertical, 110	RGBEV 150 FT	110	500	FT	7077505
Adjustable bend element, vertical, 110	RGBEV 160 FT	110	600	FT	7077972

Cover length 3,000 mm

Designation	Type	Width mm	Surface	Item no.
Cover with turn buckle	DRL 100 FS	100	FS	6052096
Cover with turn buckle	DRL 150 FS	150	FS	6052150
Cover with turn buckle	DRL 200 FS	200	FS	6052207
Cover with turn buckle	DRL 300 FS	300	FS	6052304
Cover with turn buckle	DRL 400 FS	400	FS	6052401
Cover with turn buckle	DRL 500 FS	500	FS	6052509
Cover with turn buckle	DRL 550 FS	550	FS	6052568
Cover with turn buckle	DRL 600 FS	600	FS	6052606
Cover with turn buckle	DRL 100 FT	100	FT	6051340
Cover with turn buckle	DRL 150 FT	150	FT	6051359
Cover with turn buckle	DRL 200 FT	200	FT	6051367
Cover with turn buckle	DRL 300 FT	300	FT	6051383
Cover with turn buckle	DRL 400 FT	400	FT	6051413
Cover with turn buckle	DRL 500 FT	500	FT	6051448
Cover with turn buckle	DRL 600 FT	600	FT	6051472
Cover with turn buckle	DRL 100 DD	100	DD	6052703
Cover with turn buckle	DRL 150 DD	150	DD	6052706

Cover with turn buckle	DRL 200 DD	200	DD	6052709
Cover with turn buckle	DRL 300 DD	300	DD	6052712
Cover with turn buckle	DRL 400 DD	400	DD	6052715
Cover with turn buckle	DRL 500 DD	500	DD	6052718
Cover with turn buckle	DRL 550 DD	550	DD	6052721
Cover with turn buckle	DRL 600 DD	600	DD	6052724
Cover with turn buckle	DRL 100 A2	100	A2	6052878
Cover with turn buckle	DRL 150 A2	150	A2	6052886
Cover with turn buckle	DRL 200 A2	200	A2	6052894
Cover with turn buckle	DRL 300 A2	300	A2	6052908
Cover with turn buckle	DRL 400 A2	400	A2	6052932
Cover with turn buckle	DRL 500 A2	500	A2	6052959
Cover with turn buckle	DRL 600 A2	600	A2	6052975
Cover with turn buckle	DRL 100 A4	100	A4	6052980
Cover with turn buckle	DRL 150 A4	150	A4	6052982
Cover with turn buckle	DRL 200 A4	200	A4	6052981
Cover with turn buckle	DRL 300 A4	300	A4	6052983
Cover with turn buckle	DRL 400 A4	400	A4	6052984
Cover with turn buckle	DRL 500 A4	500	A4	6052985
Cover with turn buckle	DRL 600 A4	600	A4	6052986
Cover, unperforated	DRLU 050 FS	50	FS	6052056
Cover, unperforated	DRLU 100 FS	100	FS	6052103
Cover, unperforated	DRLU 150 FS	150	FS	6052153
Cover, unperforated	DRLU 200 FS	200	FS	6052210
Cover, unperforated	DRLU 300 FS	300	FS	6052307
Cover, unperforated	DRLU 400 FS	400	FS	6052406
Cover, unperforated	DRLU 500 FS	500	FS	6052512
Cover, unperforated	DRLU 550 FS	550	FS	6052571
Cover, unperforated	DRLU 600 FS	600	FS	6052609
Cover, unperforated	DRLU 050 DD	50	DD	6052640
Cover, unperforated	DRLU 100 DD	100	DD	6052643
Cover, unperforated	DRLU 150 DD	150	DD	6052647
Cover, unperforated	DRLU 200 DD	200	DD	6052650
Cover, unperforated	DRLU 300 DD	300	DD	6052656
Cover, unperforated	DRLU 400 DD	400	DD	6052662
Cover, unperforated	DRLU 500 DD	500	DD	6052668
Cover, unperforated	DRLU 600 DD	550	DD	6052671
Cover, unperforated	DRLU 050 DD	600	DD	6052674
Cover, unperforated	DRLU 050 FT	50	FT	6052000

Technical data

Cover, unperforated	DRLU 100 FT	100	FT	6052002
Cover, unperforated	DRLU 200 FT	200	FT	6052004
Cover, unperforated	DRLU 300 FT	300	FT	6052006
Cover, unperforated	DRLU 400 FT	400	FT	6052008
Cover, unperforated	DRLU 500 FT	500	FT	6052010
Cover, unperforated	DRLU 600 FT	600	FT	6052012
Cover, unperforated	DRLU 050 A2	50	A2	6052821
Cover, unperforated	DRLU 100 A2	100	A2	6052824
Cover, unperforated	DRLU 150 A2	150	A2	6052828
Cover, unperforated	DRLU 200 A2	200	A2	6052831
Cover, unperforated	DRLU 300 A2	300	A2	6052834
Cover, unperforated	DRLU 400 A2	400	A2	6052837
Cover, unperforated	DRLU 500 A2	500	A2	6052841
Cover, unperforated	DRLU 600 A2	600	A2	6052844
Cover, unperforated	DRLU 050 A4	50	A4	6052978
Cover, unperforated	DRLU 100 A4	100	A4	6052991
Cover, unperforated	DRLU 150 A4	150	A4	6052992
Cover, unperforated	DRLU 200 A4	200	A4	6052993
Cover, unperforated	DRLU 300 A4	300	A4	6052994
Cover, unperforated	DRLU 400 A4	400	A4	6052995
Cover, unperforated	DRLU 500 A4	500	A4	6052996
Cover, unperforated	DRLU 600 A4	600	A4	6052997

Cover, fittings

Designation	Type	Width mm	Surface	Item no.
Cover for 45° bend	DFB 45 100 FS	100	FS	7128819
Cover for 45° bend	DFB 45 150 FS	150	FS	7128827
Cover for 45° bend	DFB 45 200 FS	200	FS	7128835
Cover for 45° bend	DFB 45 300 FS	300	FS	7128851
Cover for 45° bend	DFB 45 100 DD	100	DD	7131828
Cover for 45° bend	DFB 45 150 DD	150	DD	7131836
Cover for 45° bend	DFB 45 200 DD	200	DD	7131844
Cover for 45° bend	DFB 45 300 DD	300	DD	7131860
Cover for 45° bend	DFB 45 400 FS	400	FS	7128886
Cover for 45° bend	DFB 45 500 FS	500	FS	7128908
Cover for 45° bend	DFB 45 600 FS	600	FS	7128924
Cover for 45° bend	DFB 45 400 DD	400	DD	7131879
Cover for 45° bend	DFB 45 500 DD	500	DD	7131887
Cover for 45° bend	DFB 45 550 DD	550	DD	7131895

Designation	Type	Width mm	Surface	Item no.
Cover for 45° bend	DFB 45 600 DD	600	DD	7131909
Cover for 45° bend	DFB 45 100 A2	100	A2	7133901
Cover for 45° bend	DFB 45 200 A2	200	A2	7133928
Cover for 45° bend	DFB 45 300 A2	300	A2	7133936
Cover for 45° bend	DFB 45 100 A4	100	A4	7133984
Cover for 45° bend	DFB 45 200 A4	200	A4	7133986
Cover for 45° bend	DFB 45 300 A4	300	A4	7133988
Cover for 45° bend	DFB 45 400 A2	400	A2	7133944
Cover for 45° bend	DFB 45 600 A2	600	A2	7133979
Cover for 45° bend	DFB 45 400 A4	400	A4	7133990
Cover for 45° bend	DFB 45 500 A4	500	A4	7133992
Cover for 45° bend	DFB 45 600 A4	600	A4	7133994
Cover for 90° bend	DFB 90 100 FS	100	FS	7129610
Cover for 90° bend	DFB 90 150 FS	150	FS	7129629
Cover for 90° bend	DFB 90 200 FS	200	FS	7129637
Cover for 90° bend	DFB 90 300 FS	300	FS	7129653
Cover for 90° bend	DFB 90 100 DD	100	DD	7130511
Cover for 90° bend	DFB 90 150 DD	150	DD	7130538
Cover for 90° bend	DFB 90 200 DD	200	DD	7130546
Cover for 90° bend	DFB 90 300 DD	300	DD	7130562
Cover for 90° bend	DFB 90 400 FS	400	FS	7129688
Cover for 90° bend	DFB 90 500 FS	500	FS	7129718
Cover for 90° bend	DFB 90 600 FS	600	FS	7129734
Cover for 90° bend	DFB 90 400 DD	400	DD	7130589
Cover for 90° bend	DFB 90 500 DD	500	DD	7130600
Cover for 90° bend	DFB 90 600 DD	600	DD	7130627
Cover for 90° bend	DFB 90 100 A2	100	A2	7134908
Cover for 90° bend	DFB 90 200 A2	200	A2	7134916
Cover for 90° bend	DFB 90 300 A2	300	A2	7134924
Cover for 90° bend	DFB 90 100 A4	100	A4	7134982
Cover for 90° bend	DFB 90 200 A4	200	A4	7134988
Cover for 90° bend	DFB 90 300 A4	300	A4	7134990
Cover for 90° bend	DFB 90 400 A2	400	A2	7134932
Cover for 90° bend	DFB 90 500 A2	500	A2	7134940
Cover for 90° bend	DFB 90 600 A2	600	A2	7134967
Cover for 90° bend	DFB 90 400 A4	400	A4	7134992
Cover for 90° bend	DFB 90 500 A4	500	A4	7134994
Cover for 90° bend	DFB 90 600 A4	600	A4	7134996

Technical data

Designation	Type	Width mm	Surface	Item no.
Cover for add-on tee	DFAA 100 FS	100	FS	7128428
Cover for add-on tee	DFAA 150 FS	150	FS	7128436
Cover for add-on tee	DFAA 200 FS	200	FS	7128444
Cover for add-on tee	DFAA 300 FS	300	FS	7128460
Cover for add-on tee	DFAA 100 DD	100	DD	7131305
Cover for add-on tee	DFAA 200 DD	200	DD	7131321
Cover for add-on tee	DFAA 300 DD	300	DD	7131348
Cover for add-on tee	DFAA 500 FS	500	FS	7128509
Cover for add-on tee	DFAA 550 FS	550	FS	7128517
Cover for add-on tee	DFAA 600 FS	600	FS	7128525
Cover for add-on tee	DFAA 400 DD	400	DD	7131356
Cover for add-on tee	DFAA 550 DD	550	DD	7131372
Cover for add-on tee	DFAA 600 DD	600	DD	7131380
Cover for add-on tee	DFAA 100 A2	100	A2	7136900
Cover for add-on tee	DFAA 200 A2	200	A2	7136919
Cover for add-on tee	DFAA 300 A2	300	A2	7136927
Cover for add-on tee	DFAA 200 A4	200	A4	7136921
Cover for add-on tee	DFAA 300 A4	300	A4	7136929
Cover for add-on tee	DFAA 400 A2	400	A2	7136935
Cover for add-on tee	DFAA 500 A2	500	A2	7136943
Cover for add-on tee	DFAA 600 A2	600	A2	7136978
Cover for add-on tee	DFAA 400 A4	400	A4	7136937
Cover for add-on tee	DFAA 500 A4	500	A4	7136944
Cover for add-on tee	DFAA 600 A4	600	A4	7136980
Cover for T branch piece	DFT 100 FS	100	FS	7128215
Cover for T branch piece	DFT 150 FS	150	FS	7128223
Cover for T branch piece	DFT 200 FS	200	FS	7128231
Cover for T branch piece	DFT 300 FS	300	FS	7128266
Cover for T branch piece	DFT 100 DD	100	DD	7129319
Cover for T branch piece	DFT 150 DD	150	DD	7129327
Cover for T branch piece	DFT 200 DD	200	DD	7129335
Cover for T branch piece	DFT 300 DD	300	DD	7129351
Cover for T branch piece	DFT 400 FS	400	FS	7128282
Cover for T branch piece	DFT 500 FS	500	FS	7128304
Cover for T branch piece	DFT 600 FS	600	FS	7128320
Cover for T branch piece	DFT 400 DD	400	DD	7129386
Cover for T branch piece	DFT 500 DD	500	DD	7129408
Cover for T branch piece	DFT 600 DD	600	DD	7129424

Designation	Type	Width mm	Surface	Item no.
Cover, cross-over, with turn buckles, for RK 100	DFK 100 FS	100	FS	7128614
Cover, cross-over, with turn buckles, for RK 150	DFK 150 FS	150	FS	7128622
Cover, cross-over, with turn buckles, for RK 200	DFK 200 FS	200	FS	7128630
Cover, cross-over, with turn buckles, for RK 300	DFK 300 FS	300	FS	7128657
Cover, cross-over, with turn buckles, for RK 400	DFK 400 FS	400	FS	7128673
Cover, cross-over, with turn buckles, for RK 500	DFK 500 FS	500	FS	7128703
Cover, cross-over, with turn buckles, for RK 600	DFK 600 FS	600	FS	7128738
Cover, cross-over, with turn buckles, for RK 100	DFK 100 DD	100	DD	7131089
Cover, cross-over, with turn buckles, for RK 200	DFK 200 DD	200	DD	7131100
Cover, cross-over, with turn buckles, for RK 300	DFK 300 DD	300	DD	7131127
Cover, cross-over, with turn buckles, for RK 400	DFK 400 DD	400	DD	7131143
Cover, cross-over, with turn buckles, for RK 500	DFK 500 DD	500	DD	7131178
Cover, cross-over, with turn buckles, for RK 600	DFK 600 DD	600	DD	7131194
Cover for 90° vertical bend, rising	DBV 100 S FS	100	FS	7130805
Cover for 90° vertical bend, rising	DBV 150 S FS	150	FS	7130809
Cover for 90° vertical bend, rising	DBV 200 S FS	200	FS	7130813
Cover for 90° vertical bend, rising	DBV 300 S FS	300	FS	7130817
Cover for 90° vertical bend, rising	DBV 400 S FS	400	FS	7130825
Cover for 90° vertical bend, rising	DBV 500 S FS	500	FS	7130825
Cover for 90° vertical bend, rising	DBV 600 S FS	600	FS	7130829
Cover for 90° vertical bend, rising	DBV 100 S DD	100	DD	7131508
Cover for 90° vertical bend, rising	DBV 150 S DD	150	DD	7131509
Cover for 90° vertical bend, rising	DBV 200 S DD	200	DD	7131510
Cover for 90° vertical bend, rising	DBV 300 S DD	300	DD	7131514
Cover for 90° vertical bend, rising	DBV 400 S DD	400	DD	7131518
Cover for 90° vertical bend, rising	DBV 500 S DD	500	DD	7131524
Cover for 90° vertical bend, rising	DBV 600 S DD	600	DD	7131527
Cover for 90° vertical bend, rising	DBV 100 S A4	100	A4	7130920
Cover for 90° vertical bend, rising	DBV 200 S A4	200	A4	7130922
Cover for 90° vertical bend, rising	DBV 300 S A4	300	A4	7130924
Cover for 90° vertical bend, rising	DBV 400 S A4	400	A4	7130926
Cover for 90° vertical bend, rising	DBV 500 S A4	500	A4	7130928
Cover for 90° vertical bend, rising	DBV 600 S A4	600	A4	7130930
Cover for 90° vertical bend, falling, side height 60	DBV 60 100 F FS	100	FS	7130852

Technical data

Designation	Type	Width mm	Surface	Item no.
Cover for 90° vertical bend, falling, side height 60	DBV 60 150 F FS	150	FS	7130856
Cover for 90° vertical bend, falling, side height 60	DBV 60 200 F FS	200	FS	7130860
Cover for 90° vertical bend, falling, side height 60	DBV 60 300 F FS	300	FS	7130864
Cover for 90° vertical bend, falling, side height 60	DBV 60 400 F FS	400	FS	7130868
Cover for 90° vertical bend, falling, side height 60	DBV 60 500 F FS	500	FS	7130872
Cover for 90° vertical bend, falling, side height 60	DBV 60 600 F FS	600	FS	7130876
Cover for 90° vertical bend, falling, side height 60	DBV 60 100 F DD	100	DD	7131632
Cover for 90° vertical bend, falling, side height 60	DBV 60 150 F DD	150	DD	7131634
Cover for 90° vertical bend, falling, side height 60	DBV 60 200 F DD	200	DD	7131636
Cover for 90° vertical bend, falling, side height 60	DBV 60 300 F DD	300	DD	7131640
Cover for 90° vertical bend, falling, side height 60	DBV 60 400 F DD	400	DD	7131644
Cover for 90° vertical bend, falling, side height 60	DBV 60 500 F DD	500	DD	7131648
Cover for 90° vertical bend, falling, side height 60	DBV 60 600 F DD	600	DD	7131652
Cover for 90° vertical bend, falling, side height 60	DBV 60 100 F A4	100	A4	7130972
Cover for 90° vertical bend, falling, side height 60	DBV 60 200 F A4	200	A4	7130974
Cover for 90° vertical bend, falling, side height 60	DBV 60 300 F A4	300	A4	7130976
Cover for 90° vertical bend, falling, side height 60	DBV 60 400 F A4	400	A4	7130978
Cover for 90° vertical bend, falling, side height 60	DBV 60 500 F A4	500	A4	7130980
Cover for 90° vertical bend, falling, side height 60	DBV 60 600 F A4	600	A4	7130982
Cover for 90° vertical bend, falling, side height 85	DBV 85 100 F FS	100	FS	7130990
Cover for 90° vertical bend, falling, side height 85	DBV 85 200 F FS	200	FS	7130994
Cover for 90° vertical bend, falling, side height 85	DBV 85 300 F FS	300	FS	7130998
Cover for 90° vertical bend, falling, side height 85	DBV 85 400 F FS	400	FS	7131002
Cover for 90° vertical bend, falling, side height 85	DBV 85 500 F FS	500	FS	7131006
Cover for 90° vertical bend, falling, side height 85	DBV 85 600 F FS	600	FS	7131010
Cover for 90° vertical bend, falling, side height 85	DBV 85 100 F DD	100	DD	7131672
Cover for 90° vertical bend, falling, side height 85	DBV 85 200 F DD	200	DD	7131676
Cover for 90° vertical bend, falling, side height 85	DBV 85 300 F DD	300	DD	7131680
Cover for 90° vertical bend, falling, side height 85	DBV 85 400 F DD	400	DD	7131684
Cover for 90° vertical bend, falling, side height 85	DBV 85 500 F DD	500	DD	7131688

Designation	Type	Width mm	Surface	Item no.
Cover for 90° vertical bend, falling, side height 85	DBV 85 600 F DD	600	DD	7131692
Cover for 90° vertical bend, falling, side height 110	DBV 110 100 F FS	100	FS	7131030
Cover for 90° vertical bend, falling, side height 110	DBV 110 150 F FS	150	FS	7131032
Cover for 90° vertical bend, falling, side height 110	DBV 110 200 F FS	200	FS	7131034
Cover for 90° vertical bend, falling, side height 110	DBV 110 300 F FS	300	FS	7131038
Cover for 90° vertical bend, falling, side height 110	DBV 110 400 F FS	400	FS	7131042
Cover for 90° vertical bend, falling, side height 110	DBV 110 500 F FS	500	FS	7131046
Cover for 90° vertical bend, falling, side height 110	DBV 110 550 F FS	550	FS	7131050
Cover for 90° vertical bend, falling, side height 110	DBV 110 600 F FS	600	FS	7131052
Cover for 90° vertical bend, falling, side height 110	DBV 110 100 F DD	100	DD	7131556
Cover for 90° vertical bend, falling, side height 110	DBV 110 200 F DD	200	DD	7131560
Cover for 90° vertical bend, falling, side height 110	DBV 110 300 F DD	300	DD	7131564
Cover for 90° vertical bend, falling, side height 110	DBV 110 400 F DD	400	DD	7131568
Cover for 90° vertical bend, falling, side height 110	DBV 110 500 F DD	500	DD	7131572
Cover for 90° vertical bend, falling, side height 110	DBV 110 600 F DD	600	DD	7131576

Accessories, covers

Designation	Type	Dimensions mm	Surface	Item no.
Cover clamp, universal	DK DRLU A2	25 x 18 x 18 (LxWxH)	A2	6052810
Turn buckle, for cover, for riveting	DRL H FT		FT	6065012
Turn buckle, for cover, for screwing on	DRL H S FT		FT	6065018

Floor end plates

Designation	Type	Width mm	Surface	Item no.
Bottom end plate	BEB 100 FS	100	FS	7083106
Bottom end plate	BEB 150 FS	150	FS	7083157
Bottom end plate	BEB 200 FS	200	FS	7083203
Bottom end plate	BEB 300 FS	300	FS	7083300
Bottom end plate	BEB 400 FS	400	FS	7083408
Bottom end plate	BEB 500 FS	500	FS	7083505
Bottom end plate	BEB 550 FS	550	FS	7083556
Bottom end plate	BEB 600 FS	600	FS	7083602
Bottom end plate	BEB 100 DD	100	DD	7083618
Bottom end plate	BEB 150 DD	150	DD	7083622
Bottom end plate	BEB 200 DD	200	DD	7083626

Technical data

Designation	Type	Width mm	Surface	Item no.
Bottom end plate	BEB 300 DD	300	DD	7083630
Bottom end plate	BEB 400 DD	400	DD	7083634
Bottom end plate	BEB 500 DD	500	DD	7083638
Bottom end plate	BEB 550 DD	550	DD	7083640
Bottom end plate	BEB 600 DD	600	DD	7083642
Bottom end plate	BEB 100 A2	100	A2	7084013
Bottom end plate	BEB 150 A2	150	A2	7084015
Bottom end plate	BEB 200 A2	200	A2	7084048
Bottom end plate	BEB 300 A2	300	A2	7084064
Bottom end plate	BEB 400 A2	400	A2	7084080
Bottom end plate	BEB 500 A2	500	A2	7084102
Bottom end plate	BEB 600 A2	600	A2	7084129
Bottom end plate	BEB 100 A4	100	A4	7084141
Bottom end plate	BEB 150 A4	150	A4	7084142
Bottom end plate	BEB 200 A4	200	A4	7084143
Bottom end plate	BEB 300 A4	300	A4	7084145
Bottom end plate	BEB 400 A4	400	A4	7084147
Bottom end plate	BEB 500 A4	500	A4	7084149
Bottom end plate	BEB 600 A4	600	A4	7084151

Barrier strips

Designation	Type	Side height mm	Length mm	Surface	Item no.
Barrier strip	TSG 30 FS	30	3,000	FS	6062050
Barrier strip	TSG 30 DD	30	3,000	DD	6062314
Barrier strip	TSG 30 A2	30	3,000	A2	6062052
Barrier strip	TSG 30 A4	30	3,000	A4	6062054
Barrier strip	TSG 45 FS	45	3,000	FS	6062033
Barrier strip	TSG 45 DD	45	3,000	DD	6062321
Barrier strip	TSG 45 A2	45	3,000	A2	6062025
Barrier strip	TSG 45 A4	45	3,000	A4	6062028
Barrier strip	TSG 60 FS	60	3,000	FS	6062068
Barrier strip	TSG 60 DD	60	3,000	DD	6062327
Barrier strip	TSG 60 A2	60	3,000	A2	6062084
Barrier strip	TSG 60 A4	60	3,000	A4	6062086
Barrier strip	TSG 85 FS	85	3,000	FS	6062114
Barrier strip	TSG 85 DD	85	3,000	DD	6062331
Barrier strip	TSG 85 A2	85	3,000	A2	6062173
Barrier strip	TSG 110 FS	110	3,000	FS	6062122
Barrier strip	TSG 110 DD	110	3,000	DD	6062335
Barrier strip	TSG 110 A2	110	3,000	A2	6062255

Joint plates

Designation	Type	Width mm	Surface	Item no.
Joint plate	SSLB 100 FS	100	FS	7070205
Joint plate	SSLB 150 FS	150	FS	7070209
Joint plate	SSLB 200 FS	200	FS	7070213
Joint plate	SSLB 300 FS	300	FS	7070217
Joint plate	SSLB 400 FS	400	FS	7070221
Joint plate	SSLB 500 FS	500	FS	7070225
Joint plate	SSLB 550 FS	550	FS	7070229
Joint plate	SSLB 600 FS	600	FS	7070233
Joint plate	SSLB 100 DD	100	DD	7070306
Joint plate	SSLB 150 DD	150	DD	7070310
Joint plate	SSLB 200 DD	200	DD	7070314
Joint plate	SSLB 300 DD	300	DD	7070318
Joint plate	SSLB 400 DD	400	DD	7070322
Joint plate	SSLB 500 DD	500	DD	7070326
Joint plate	SSLB 550 DD	550	DD	7070330
Joint plate	SSLB 600 DD	60	DD	7070334
Joint plate	SSLB 100 A2	100	A2	7070353
Joint plate	SSLB 200 A2	200	A2	7070361
Joint plate	SSLB 300 A2	300	A2	7070365
Joint plate	SSLB 400 A2	400	A2	7070369
Joint plate	SSLB 500 A2	500	A2	7070373
Joint plate	SSLB 600 A2	600	A2	7070381
Joint plate	SSLB 100 A4	100	A4	7070390
Joint plate	SSLB 200 A4	200	A4	7070392
Joint plate	SSLB 300 A4	300	A4	7070394
Joint plate	SSLB 400 A4	400	A4	7070396
Joint plate	SSLB 500 A4	500	A4	7070398
Joint plate	SSLB 600 A4	600	A4	7070400

Reducer profiles/end closures

Designation	Type	Side height mm	Width mm	Surface	Item no.
Reducer profile/end closure	RWEB 610 FS	60	100	FS	7109105
Reducer profile/end closure	RWEB 615 FS	60	150	FS	7109156
Reducer profile/end closure	RWEB 620 FS	60	200	FS	7109202
Reducer profile/end closure	RWEB 630 FS	60	300	FS	7109296
Reducer profile/end closure	RWEB 640 FS	60	400	FS	7109407
Reducer profile/end closure	RWEB 650 FS	60	500	FS	7109504
Reducer profile/end closure	RWEB 660 FS	60	600	FS	7109601

Technical data

Designation	Type	Side height mm	Width mm	Surface	Item no.
Reducer profile/end closure	RWEB 610 DD	60	100	DD	7106106
Reducer profile/end closure	RWEB 615 DD	60	150	DD	7106110
Reducer profile/end closure	RWEB 620 DD	60	200	DD	7106114
Reducer profile/end closure	RWEB 630 DD	60	300	DD	7106118
Reducer profile/end closure	RWEB 640 DD	60	400	DD	7106122
Reducer profile/end closure	RWEB 650 DD	60	500	DD	7106126
Reducer profile/end closure	RWEB 660 DD	60	600	DD	7106130
Reducer profile/end closure	RWEB 610 A2	60	100	A2	7109814
Reducer profile/end closure	RWEB 615 A2	60	150	A2	7109816
Reducer profile/end closure	RWEB 620 A2	60	200	A2	7109830
Reducer profile/end closure	RWEB 630 A2	60	300	A2	7109857
Reducer profile/end closure	RWEB 640 A2	60	400	A2	7109873
Reducer profile/end closure	RWEB 650 A2	60	500	A2	7109903
Reducer profile/end closure	RWEB 660 A2	60	600	A2	7109938
Reducer profile/end closure	RWEB 810 FS	85	100	FS	7110103
Reducer profile/end closure	RWEB 820 FS	85	200	FS	7110200
Reducer profile/end closure	RWEB 830 FS	85	300	FS	7110308
Reducer profile/end closure	RWEB 840 FS	85	400	FS	7110405
Reducer profile/end closure	RWEB 850 FS	85	500	FS	7110502
Reducer profile/end closure	RWEB 860 FS	85	600	FS	7110618
Reducer profile/end closure	RWEB 810 DD	85	100	DD	7107315
Reducer profile/end closure	RWEB 820 DD	85	200	DD	7107331
Reducer profile/end closure	RWEB 830 DD	85	300	DD	7107366
Reducer profile/end closure	RWEB 840 DD	85	400	DD	7107382
Reducer profile/end closure	RWEB 850 DD	85	500	DD	7107404
Reducer profile/end closure	RWEB 860 DD	85	600	DD	7107420
Reducer profile/end closure	RWEB 110 FS	110	100	FS	7111096
Reducer profile/end closure	RWEB 115 FS	110	150	FS	7111201
Reducer profile/end closure	RWEB 120 FS	110	200	FS	7111207
Reducer profile/end closure	RWEB 130 FS	110	300	FS	7111304
Reducer profile/end closure	RWEB 140 FS	110	400	FS	7111428
Reducer profile/end closure	RWEB 150 FS	110	500	FS	7111509
Reducer profile/end closure	RWEB 155 FS	110	550	FS	7111541
Reducer profile/end closure	RWEB 160 FS	110	600	FS	7111740
Reducer profile/end closure	RWEB 110 DD	110	100	DD	7107455
Reducer profile/end closure	RWEB 120 DD	110	200	DD	7107471
Reducer profile/end closure	RWEB 130 DD	110	300	DD	7107501
Reducer profile/end closure	RWEB 140 DD	110	400	DD	7107536
Reducer profile/end closure	RWEB 150 DD	110	500	DD	7107552

Designation	Type	Side height mm	Width mm	Surface	Item no.
Reducer profile/end closure	RWEB 160 DD	110	600	DD	7107562
Reducer profile/end closure	RWEB 155 DD	110	550	DD	7107560

Miscellaneous

Designation	Type	For plate thickness mm	Dimension h mm	Surface	Item no.
Edge protection strip	KSB 2 PVC	0.75–2	10	PVC	6072909
Edge protection strip	KSB 4 PVC	1.5–4	15	PVC	6072895

Designation	Type	Cross-section mm ²	Thread	Surface	Item no.
Earthing terminal with fastening thread	EKL 25 M6	25	M6	CuZn37	6404006
Earthing terminal with fastening thread	EKL 35 M6	35	M6	CuZn37	6404014

Designation	Type	Dimension mm	Resistance	Surface	Item no.
FRS truss-head bolt with combination nut	FRSB 6x12 G	M6 x 12	5.6	G	6406130
FRS truss-head bolt with combination nut	FRSB 6x 12 F	M6 x 12	5.6	F	6406122
FRS truss-head bolt with combination nut	FRSB 6x 16 F	M6 x 16	5.6	F	6406157
FRS truss-head bolt with combination nut	FRSB 6x 20 F	M6 x 20	5.6	F	6406203
FRS truss-head bolt with combination nut	FRSB 6x 30 F	M6 x 30	5.6	F	6406907
FRS truss-head bolt with combination nut	FRSB 6x12 A2	M6 x 12	A2-70	A2	6406138
FRS truss-head bolt with combination nut	FRSB 6x16 A2	M6 x 16	A2-70	A2	6406189
FRS truss-head bolt with combination nut	FRSB 6x20 A2	M6 x 20	A2-70	A2	6406205
FRS truss-head bolt with combination nut	FRSB 6x12 A4	M6 x 12	A4-50	A4	6406142
FRS truss-head bolt with combination nut	FRSB 6x16 A4	M6 x 16	A4-50	A4	6406193
FRS truss-head bolt with combination nut	FRSB 6x20 A4	M6 x 20	A4-50	A4	6406207

OBO Bettermann Holding GmbH & Co. KG

P.O. Box 1120
58694 Menden
GERMANY

Customer Service Germany

Tel.: +49 (0)2373 89-1700
Fax: +49 (0)2373 89-1238
E-mail: export@obo.de

www.obo.global

Building Connections

