

Technical data sheet

Profile earthing rod connection with strip steel lug

Item number: 5003261



- With 2 m strip steel section FL 30 x 3.5
- With 2 through holes \varnothing 11 mm
- For the construction of earthing systems e. g. antenna or earthing of building site distribution boards

St Steel

FT Hot-dip galvanised

Master data

Item number	5003261
Type	213 1500 M
Description 1	Cross-earther
Description 2	with steel strip lug
Manufacturer	OBO
Dimension	1500mm
Material	Steel
Surface	Hot-dip galvanised
Surface standard	DIN EN ISO 1461
Smallest sales unit	1
Unit of quantity	Units
Weight	527,6 kg
Weight unit	kg/100 pairs

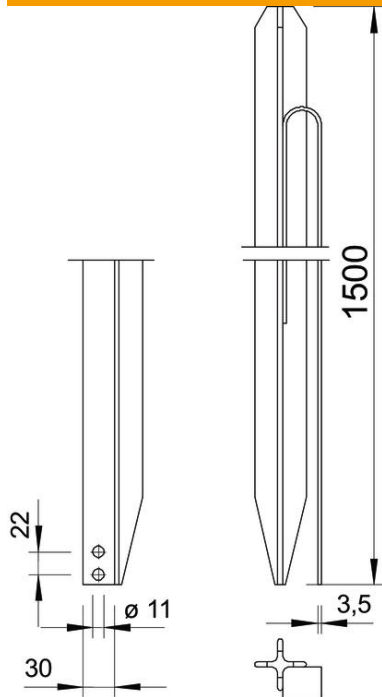
Technical data sheet

Profile earthing rod connection with strip steel lug

Item number: 5003261



Dimensions



Length	1 500 mm
Dimension L	1 500 mm

Technical specifications

Version for	With strip steel lug
Profile type	Cross
Connection type	Miscellaneous