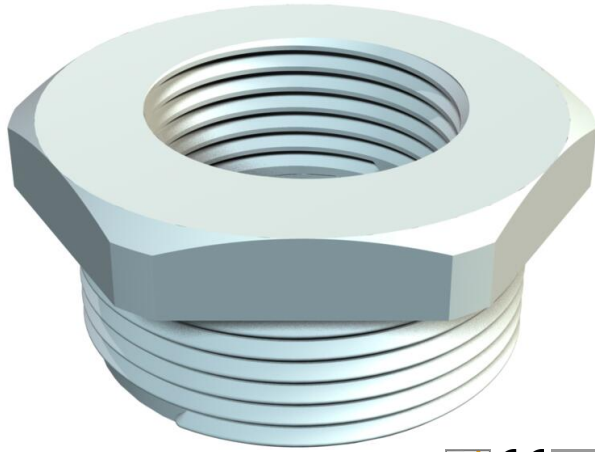


Technical data sheet

Reduction, PG thread

Item number: 2030780



Reduction, Pg internal and external thread to DIN 40430.



PA Polyamide

Master data

Item number	2030780
Type	107 R PG21-16 PA
Description 1	Reduction
Manufacturer	OBO
Dimension	PG21-PG16
Colour	Light grey; RAL 7035
Material	Polyamide
Smallest sales unit	50
Unit of quantity	Units
Weight	0,65 kg
Weight unit	kg/100 pairs

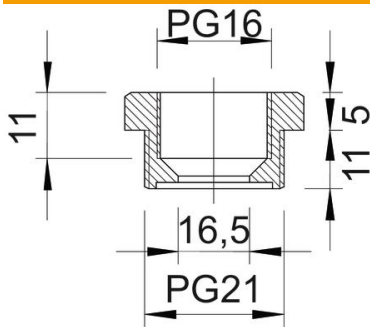
Technical data sheet

Reduction, PG thread

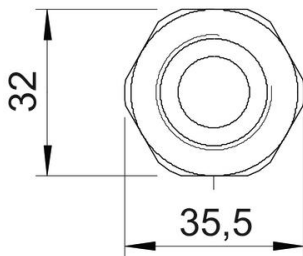
Item number: 2030780



Dimensions



Dimension D	16,5 mm
Dimension E	35,5 mm
Dimension L1	11 mm
Dimension L2	5 mm
Dimension L3	11,5 mm



Technical specifications

explosion-proof	no
Thread type: External thread	Pg
Thread type: Internal thread	Pg
Thread length	11 mm
Thread dimension, PG, external	21
Thread dimension, PG, internal	16
Halogen-free	yes
WAF	32
Nickel-plated	no