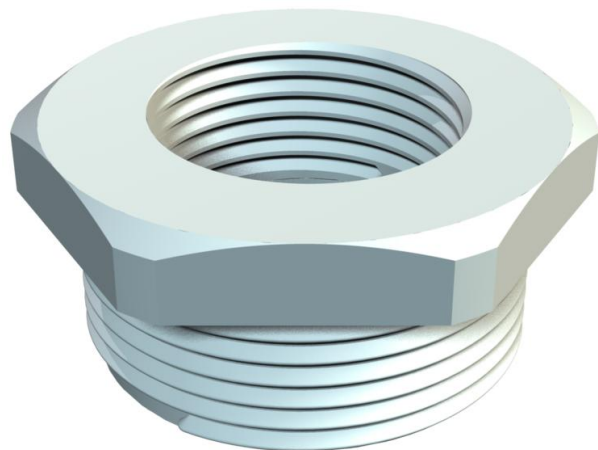


Technical data sheet

Reduction, metric thread

Item number: 2030626



Reduction, with metric internal and external thread.



PA Polyamide

Master data

Item number	2030626
Type	107 R M25-16 PA
Description 1	Reduction
Manufacturer	OBO
Dimension	M25-M16
Colour	Light grey; RAL 7035
Material	Polyamide
Smallest sales unit	100
Unit of quantity	Units
Weight	0,85 kg
Weight unit	kg/100 pairs

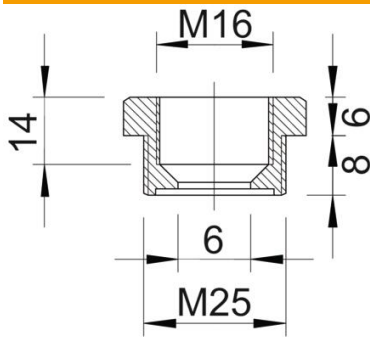
Technical data sheet

Reduction, metric thread

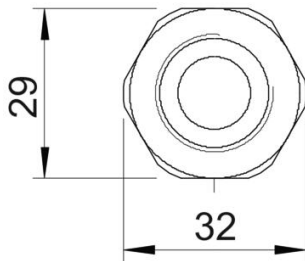
Item number: 2030626



Dimensions



Dimension E	32 mm
Dimension L	14 mm
Dimension L1	8 mm
Dimension L2	6 mm
Dimension L3	14 mm



Technical specifications

explosion-proof	no
Thread type: External thread	Metric
Thread type: Internal thread	Metric
Thread length	8 mm
Thread dimension, metric, external	25
Thread dimension, metric, internal	16
Halogen-free	yes
WAF	29
Nickel-plated	no