

Technical data sheet

Profile suspensions

Item number: 1485105



Profile suspension with drill hole to accept S hooks.



St	Steel
ZL	Zinc slat

Master data

Item number	1485105
Type	TKL 4
Description 1	Beam clamp
Manufacturer	OBO
Dimension	1,5-4mm
Material	Steel
Surface	Zinc slat
Surface standard	
Smallest sales unit	100
Unit of quantity	Units
Weight	0,86 kg
Weight unit	kg/100 pairs

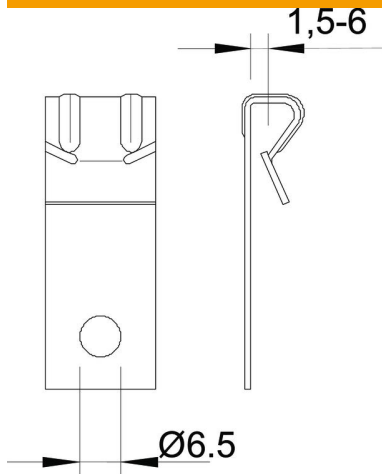
Technical data sheet

Profile suspensions

Item number: 1485105



Dimensions



Width	10 mm
Height	52 mm
Dimension H	52 mm
Dimension L	10 mm

Technical specifications

Fastening type	Terminals
Fastening hole	7 mm
Breaking load	0,72 kN
Flange thickness F max.	4 mm
Flange thickness F min.	1,5 mm
Hinge, adjustable	no
Hinged	no