

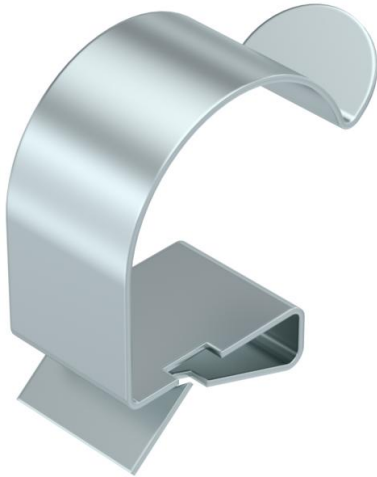
Technical data sheet

Support clamp for cables

Item number: 1488473



Support clamp for mounting cables. Open cable seat at side. Fastening through knocking onto steel girders.



CE

St Steel

ZL Zinc slat

Master data

Item number	1488473
Type	SCC 1-4 D30
Description 1	Beam clamp
Description 2	for cable, 25-30mm
Manufacturer	OBO
Dimension	1-4mm
Material	Steel
Surface	Zinc slat
Surface standard	
Smallest sales unit	100
Unit of quantity	Piece
Weight	0.9 kg
Weight unit	kg/100 pc.

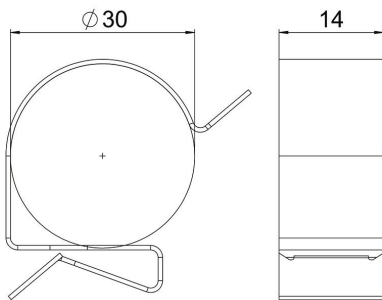
Technical data sheet

Support clamp for cables

Item number: 1488473



Dimensions



Length	33 mm
Width	14 mm
Height	33 mm
Maß W	14 mm

Technical data

Connection type/component	Pipe/cable
Fastening type	Clamp
Flange thickness F max.	4 mm
Flange thickness F min.	1 mm
Pipe/cable diameter, max.	30 mm
Pipe/cable diameter, min.	25 mm
Hinge, adjustable	no
Hinged	no