

Technical data sheet

Cover, angle-adjustable bend DD

Item number: 6037542



Cover for angle-adjustable bend fitting for lockable and screw-on cable trays in indoor and outdoor areas, to protect cables against damage and soiling. Fastening with pre-mounted sash locks and through attachment of the section cover. Suitable for all side heights.



St Steel

DD Strip galvanised zinc/aluminium, Double Dip

Master data

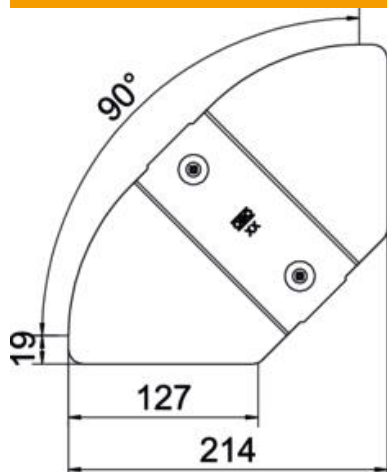
Item number	6037542
Type	RBD W 150 DD
Description 1	Cover
Description 2	for bend, adjustable
Manufacturer	OBO
Dimension	B100mm
Material	Steel
Surface	Strip galvanised zinc/aluminium, Double Dip
Surface standard	DIN EN 10346
Smallest sales unit	1
Unit of quantity	Piece
Weight	23.5 kg
Weight unit	kg/100 pc.

Technical data sheet

Cover, angle-adjustable bend DD

Item number: 6037542

Dimensions



Width	150 mm
Plate thickness	0.75 mm

Technical data

Bend (angle)	Adjustable
Number of turn buckles	2 St.
Fastening type	Sash lock
Maintain electrical functions	no
Suitable for mesh cable tray	no
Suitable for cable ladder	no
Suitable for cable tray	yes
Change of direction	Horizontal
Rustproof steel, pickled	no
Hinged	no
Permitted temperature range, max.	120 °C
Permitted temperature range, min.	-20 °C