

Technical data sheet

Head plate, heavy-duty FT SOMY

Item number: 7193769



Heavy-duty head plate for installation in US 7 support.
The surface coating is a coating created in a single-dip method with extra-high zinc thicknesses.



St Steel

FT SO Hot-dip galvanised 85 µm

Master data

Item number	7193769
Type	KU 7 NOX FT SO
Description 1	Head plate
Description 2	for US 7 support, heavy
Manufacturer	OBO
Dimension	200x100
Material	Steel
Surface	Hot-dip galvanised 85 µm
Surface standard	DIN EN ISO 1461
Smallest sales unit	1
Unit of quantity	Piece
Weight	186 kg
Weight unit	kg/100 pc.

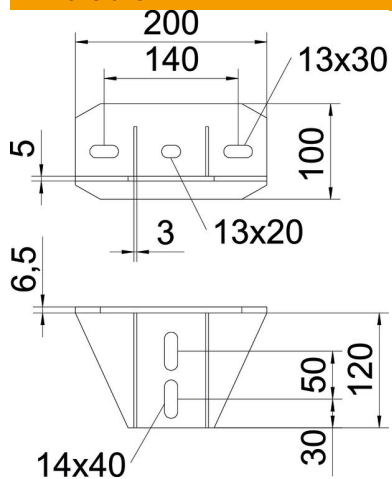
Technical data sheet

Head plate, heavy-duty FT SOMY

Item number: 7193769



Dimensions



Length	200 mm
Width	100 mm
Height	120 mm

Technical data

Version for	Screw head plate
Suitable for ceiling fastening	yes
Suitable for panel fastening	no
Suitable for profile shapes	U profile
Rustproof steel, pickled	no
Angle range, max.	90 mm
Angle range, min.	90 mm