

Technical data sheet

Insulated spacer

Item number: 5408820



- Aluminium mounting foot with 10 connection holes \varnothing 6.5 mm and 4 connection holes \varnothing 8.5 mm
- Type ...150 8 with holder suitable for round conductor RD 8
- Application for shelters, e.g. golf, barbecue or mountain huts

PA Polyamide

Master data

Item number	5408820
Type	ISO-A-1030
Description 1	ISO spacer
Description 2	with fastening
Manufacturer	OBO
Dimension	1030mm
Material	Polyamide
Smallest sales unit	1
Unit of quantity	Piece
Weight	68 kg
Weight unit	kg/100 pc.

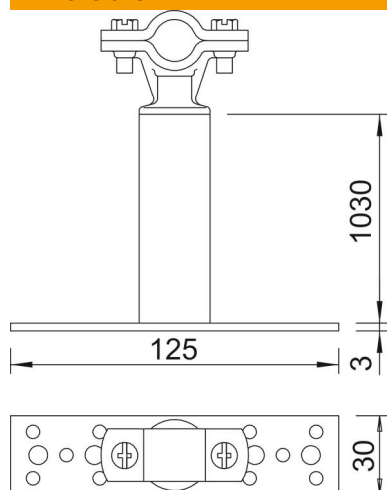
Technical data sheet

Insulated spacer

Item number: 5408820



Dimensions



Length	1,030 mm
Dimension L	1,030 mm

Technical data

Fit	Rd 16 mm
-----	----------