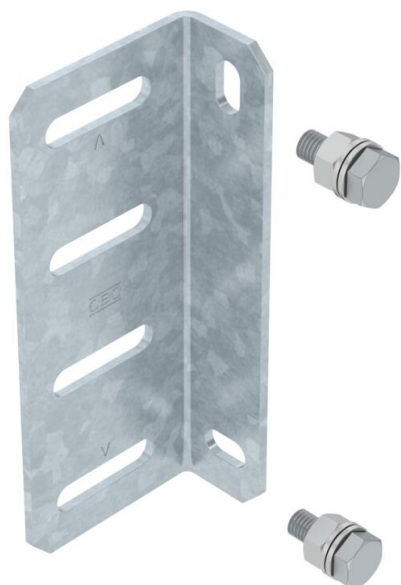


# Technical data sheet

## Fastening bracket for US 3/US 5 support

Item number: 6019534



Fastening bracket for the creation of individual support structures with U supports.  
Suitable for U support, type US 3 and US 5.  
Including fastening material.



**St** Steel

**FT** Hot-dip galvanised

### Master data

Item number	6019534
Type	BW US 3/5 FT
Description 1	Fastening bracket
Description 2	for US 3 and US 5 support
Manufacturer	OBO
Dimension	190x80
Material	Steel
Surface	Hot-dip galvanised
Surface standard	DIN EN ISO 1461
Smallest sales unit	5
Unit of quantity	Piece
Weight	71.1 kg
Weight unit	kg/100 pc.

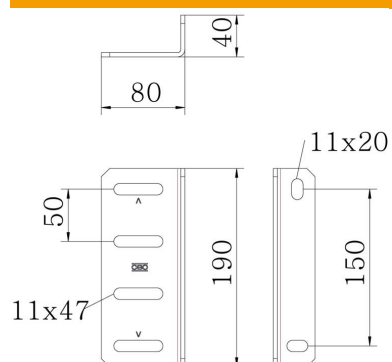
# Technical data sheet

## Fastening bracket for US 3/US 5 support

Item number: 6019534



### Dimensions



Length	80 mm
Width	40 mm
Height	190 mm

### Technical data

Version for	Fastening bracket
Maintain electrical functions	no
Suitable for profile shapes	U profile
Material thickness	4 mm
With screw accessories	yes
Adjustable	yes